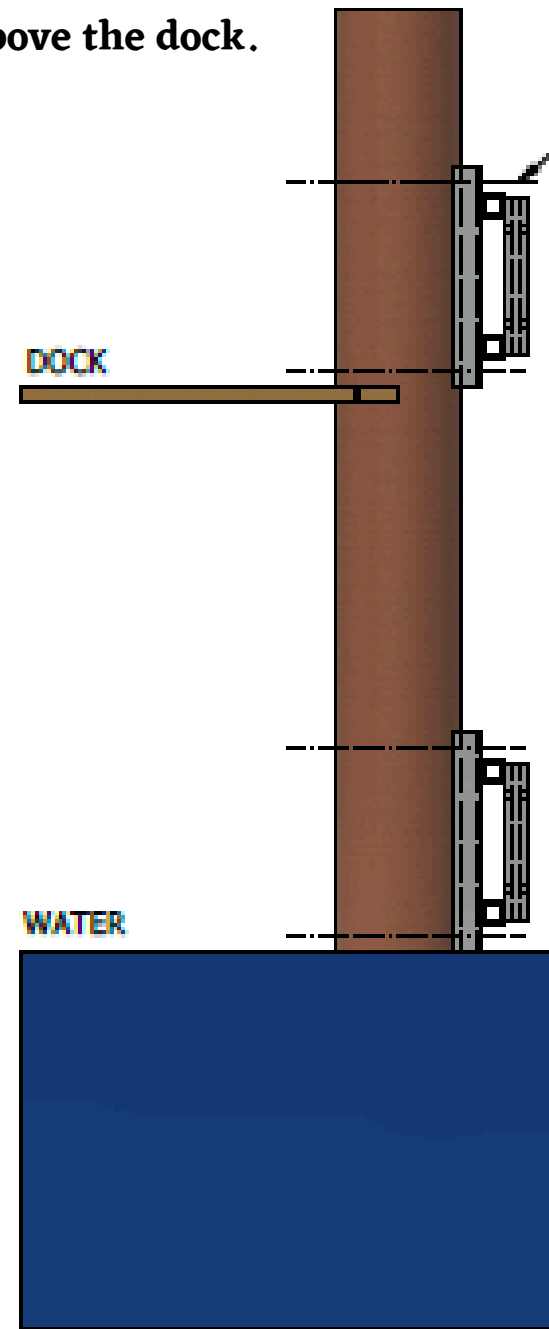


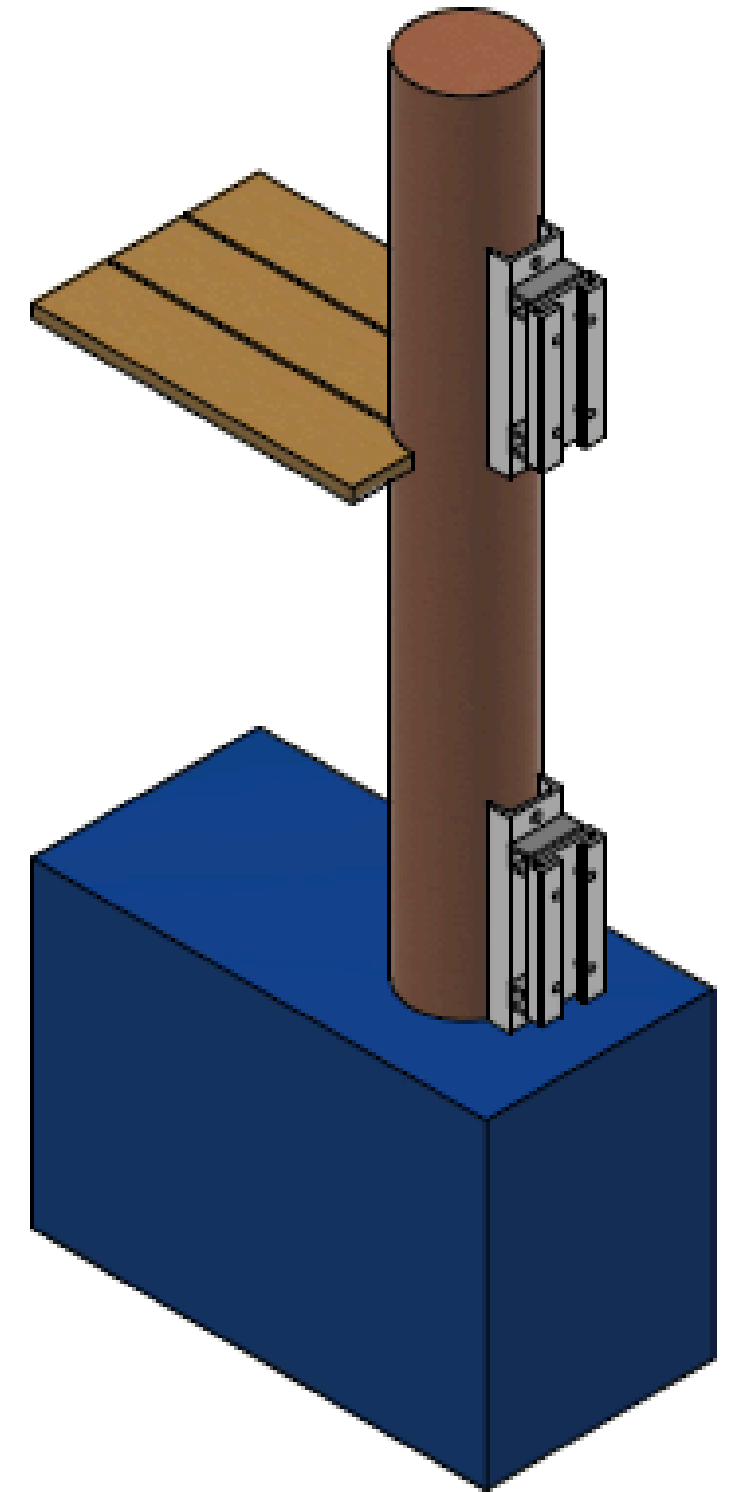
Piling needs to be a minimum of 26" above the dock.



(2EA) 5/8" SS THRU BOLTS PER PILING MOUNT

UPPER PILING MOUNT BRACKET MOUNTED FLUSH TO DOCK

LOWER PILING MOUNT BRACKET MOUNTED AT WATERLINE



<small>UNLESS OTHERWISE SPECIFIED: DIMENSIONS ARE IN INCHES TOLERANCES: .125" ± .01 FRACTIONAL ± .1 .001" ± .01 ANGULAR ± .1 XXXX ± .001 SHOP DIMENSIONS PROPRIETARY AND CONFIDENTIAL THE INFORMATION CONTAINED IN THIS DRAWING IS THE SOLE PROPERTY OF TIDE TAMER INDUSTRIES, INC. ANY REPRODUCTION IN PART OR AS A WHOLE WITHOUT THE WRITTEN CONSENT OF TIDE TAMER INDUSTRIES, INC. IS PROHIBITED.</small>		NAME	DATE	<b>TIDE TAMER INDUSTRIES, INC.</b> TITLE: BLW PWC LIFT Piling Mount Illustration SIZE PART NO. <b>B</b> ILLUSTRATION	
	DRAWN	AGE	REVISED		
	DWG. REV.	-			
	CHECKED				
	ENG. APPR.				
	COMMENTS:				