

DOCK ACCESSORIES

Quick Steps

Instructions

Part #: 1026499 (4 Step)

1026507 (6 Step)

Parts List			
ITEM	QTY	PART NUMBER	DESCRIPTION
1	4	1026475	Shore Stair Tread
2	20	1001802	Nut Flange 3/8-16 Brass
3	2	1026491	Handrail Pocket Left
4	12	1002558	Set Screw 1/2-13 x 1.5
5	12	1001793	Nut Square 1/2-13 Brass
6	16	1002439	Bolt Hex 3/8-16 x 4.0
7	16	1002599	Washer Flat 3/8 SS
8	2	1026503	Shore Stairs Handrail 4 Step
-	2	1026504	Shore Stairs Handrail 6 Step
9	4	1026493	Handrail Upright with Nut Clip
10	4	1026496	Stairs Leg
11	4	1026494	Step Side Tube Drilled
-	4	1026495	Step Side Tube Drilled (6 Step)
12	2	1026490	Handrail Pocket Right
13	4	1026479	Shore Stairs Footpad
14	12	1026668	Cap Press-In Silver-Grey
15	4	1026579	Bolt Carriage 3/8-16 x 2.0 SS

Failure to follow instructions may result in personal injury and may invalidate the applicable warranty.

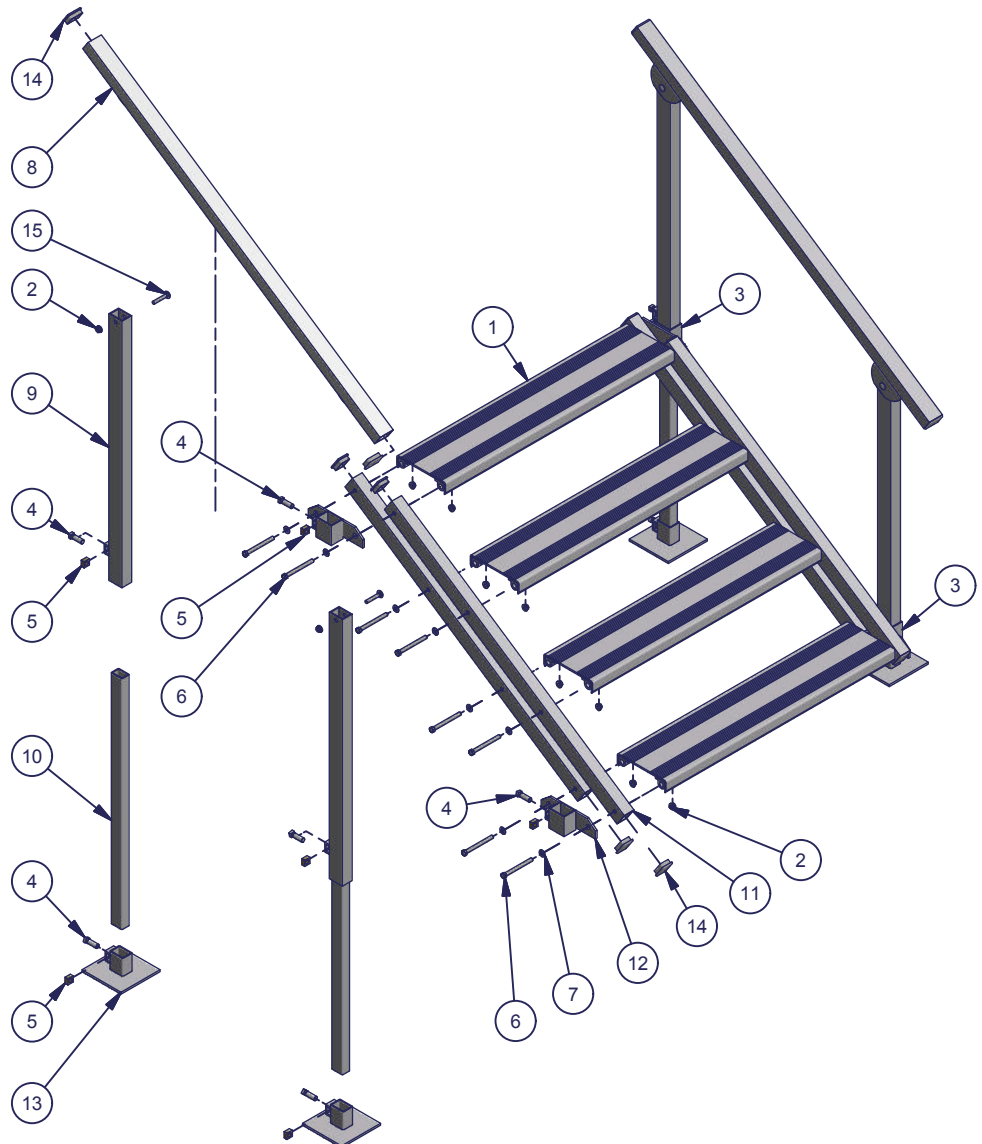
Note: Six step stairs uses (6) wdmt shore stair treads, (28) 3/8 flange nuts, (24) 3/8 x 4.0 hex bolts, and (24) 3/8 washers.

Step 1. Insert two 3/8 x 4 hex bolts through two 3/8 flat washers, then through the handrail pocket for the left and right side on both ends of the step side drilled tube (Item 11) as shown. Note that the angle of the plate on the pockets are facing up and the nut clips are facing forward.

Step 2. Insert two 3/8 x 4 hex bolts through two 3/8 flat washers, then through the remaining holes in the step side drilled tube (item 11).

Step 3. Place the tread steps so the 3/8 x 4 hex bolts in the step side drilled tube are inserted through the welded tube in the bottom of the steps. Secure in place using one 3/8 flange nut per hex bolt. Leave loose so steps can pivot into final placement before tightening.

Step 4. Insert wdmt handrail uprights into the handrail pockets with the nut clip facing forward as shown. Attach the handrail to the uprights using two 3/8 x 2 hex bolts and two 3/8 flange nuts per handrail. Place one 1/2 square nut into the nut clip of the handrail pocket and thread one 1/2 set screw into square nut. Tighten to secure handrail uprights in place.



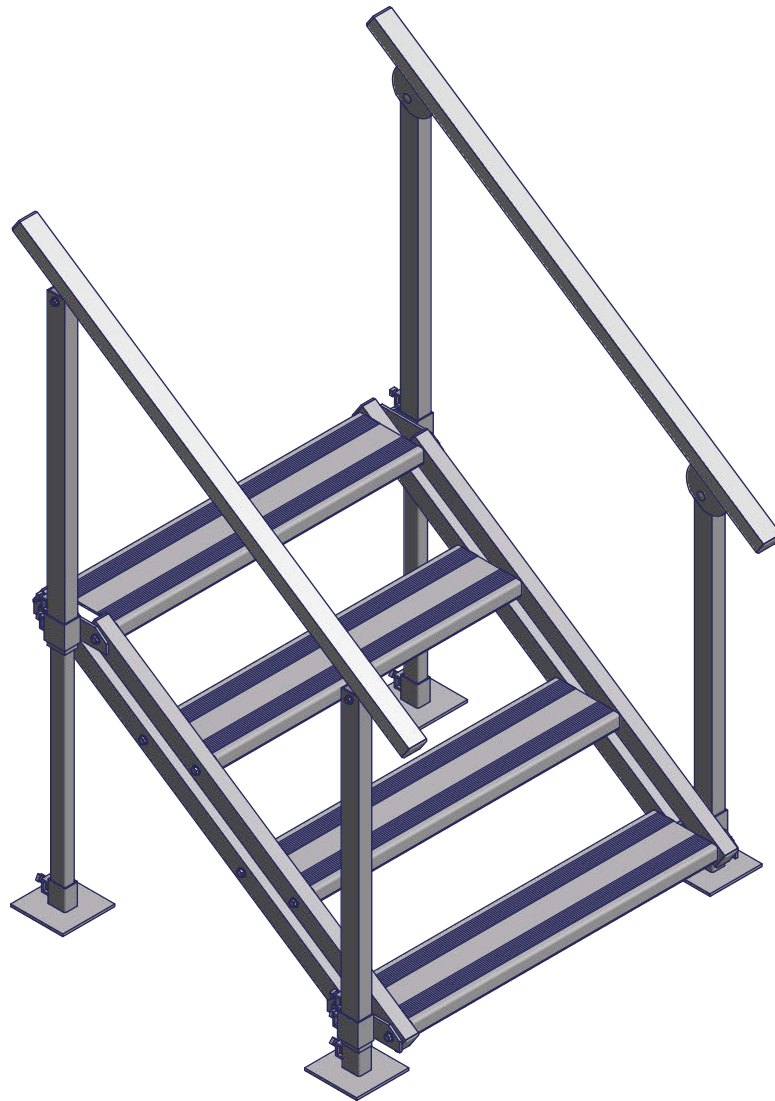
Step 5. Place legs into footpads. Place one 1/2 square nut into the nut clip of the footpad and thread one 1/2 set screw into the square nut. Set footpad to flush with end of leg and tighten set screw.

Note: The footpad can be positioned higher on the legs to allow the legs to be pounded into the ground if desired for greater stability.

Step 6. Slide legs with footpads into the bottom of the handrail uprights. Place one 1/2 square nut into the nut clip of the handrail upright and thread a 1/2 set screw into the square nut. Adjust legs to desired height and tighten the set screw.

Step 7. Place end caps into the ends of the handrails, and the ends of the step drilled tubes.

Step 8. Place QC quick steps in desired location and tighten the 3/8 flange nuts under the steps to secure steps in place. Adjust legs if necessary and tighten all hardware.



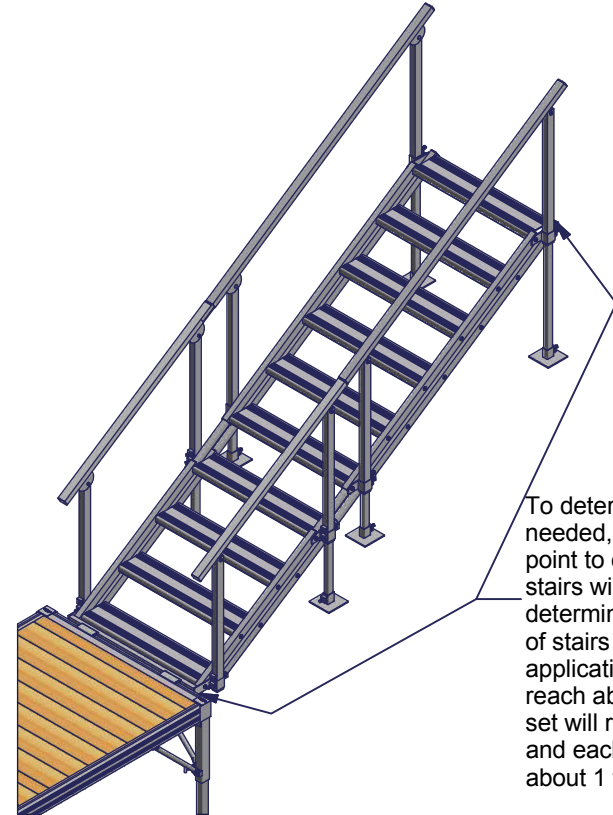
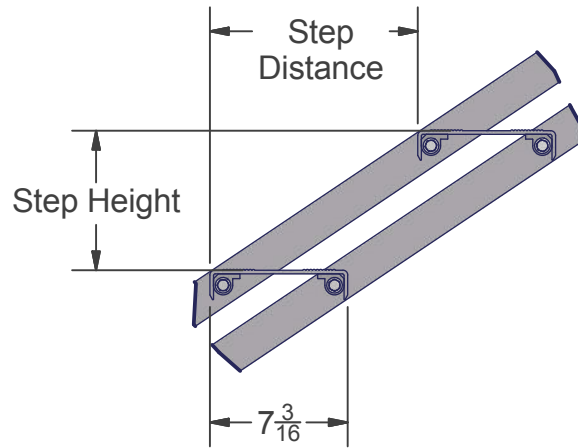
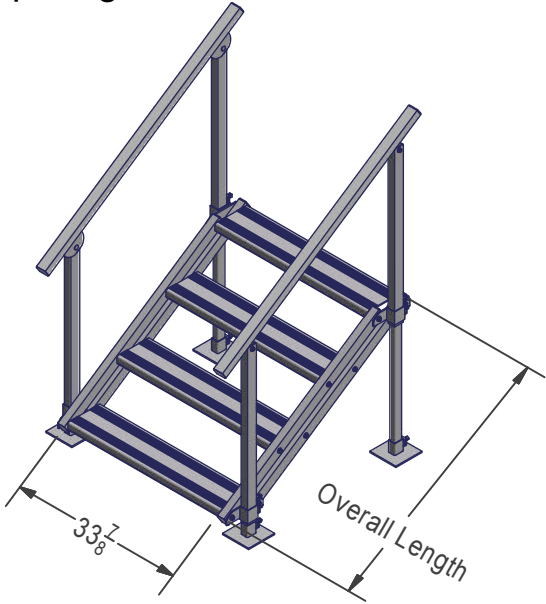
DOCK ACCESSORIES

QC Quick Steps

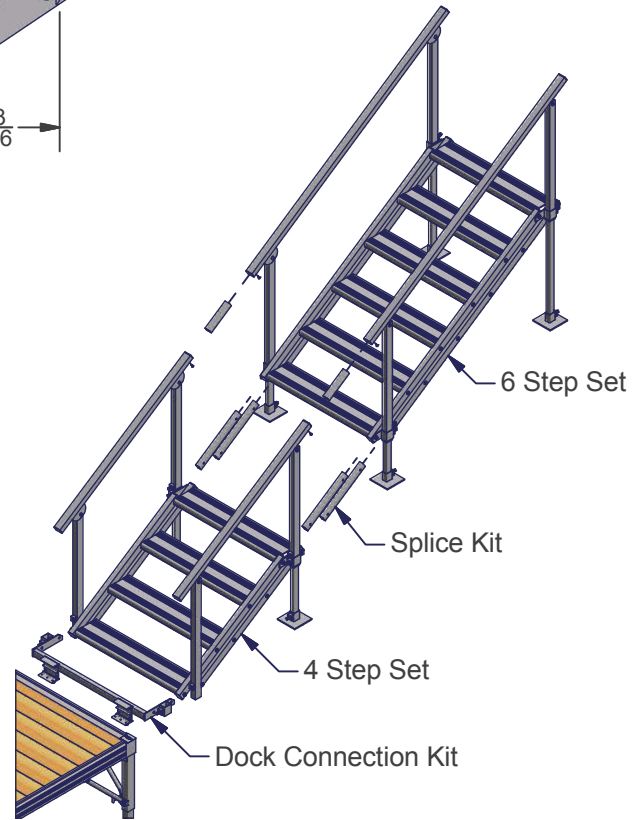
- 6 Step ----- PN: 1026507
- 4 Step ----- PN: 1026499
- RS4 Dock Connector - PN: 1026546
- RS7 Dock Connector - PN: 1026548
- TS9 Dock Connector - PN: 1026550
- Univeral Connector---- PN: 1026601
- Splicing Kit ----- PN: 1026510

	4 Step			6 Step		
	20° Incline	45° Incline	60° Incline	20° Incline	45° Incline	60° Incline
Overall Length	46"	44-1/2"	43"	72"	70-1/2"	69"
Step Height	4-1/2"	9-1/4"	11-1/4"	4-1/2"	9-1/4"	11-1/4"
Step Distance	12-1/4"	9-1/4"	6-1/2"	12-1/4"	9-1/4"	6-1/2"

Note: Each splice kit will add 13" to the overall length of the set of stairs. The dock connector will add approximately 3" to the length of the set of stairs.



To determine length of stairs needed, measure from start point to end point of where stairs will be needed, then determine what combination of stairs will best suit your application. A 4 step set will reach about 4 feet, a 6 step set will reach about 6 feet, and each splice kit adds about 1 foot of length.



Steps may be connected to RS4, RS7, or TS9 dock sections, or free standing.