

Kayak Stand Alone Launch Kit

Instructions

Part #: 1027446

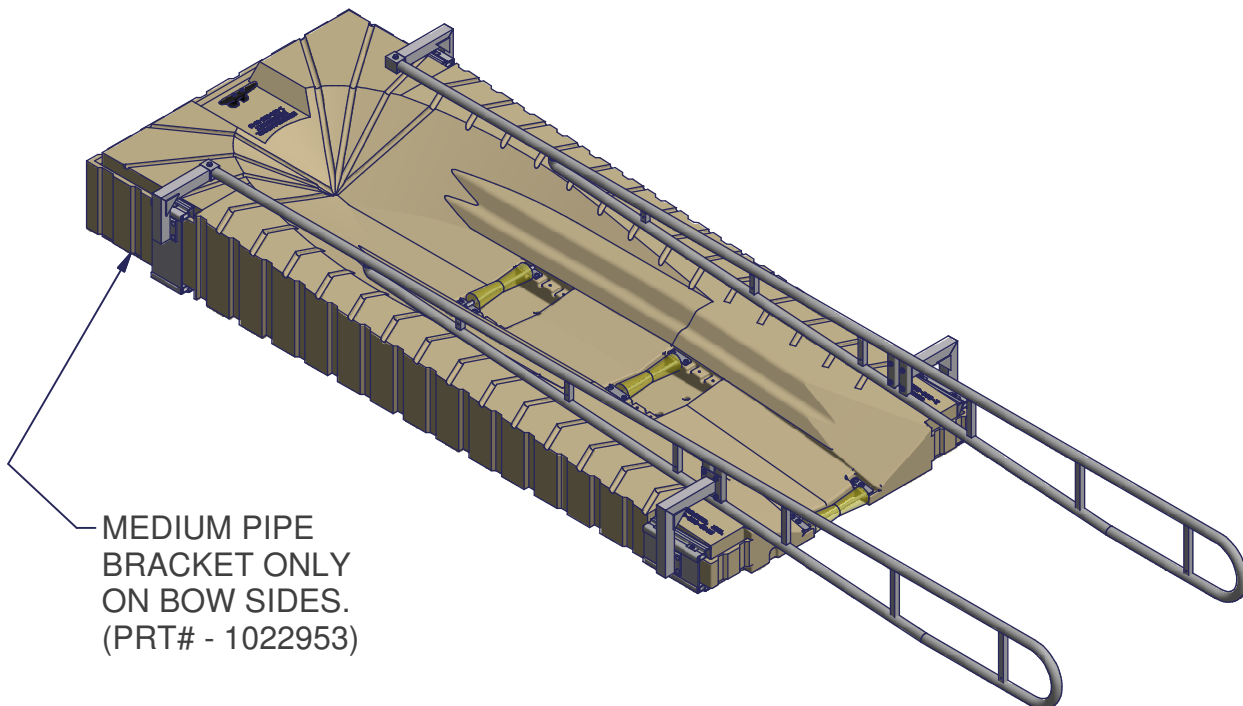
Failure to follow instructions may result in personal injury and may invalidate the applicable warranty.

Step 1. Assemble the two rear connectors. Insert the poly rods through the bottom connector and secure with one #12 oval screw. Place top connector with plate so plate fits into bottom connector groove. Insert one 5/16 x 4-1/2 hex bolt through a 5/16 lock washer, then a rectangular washer and lightly thread into poly rod finger tight. Secure rear arm wdmt to rear connector plate with four 3/8 x 1 carriage bolts, four 3/8 flat washers, and four 3/8 hex nuts as shown in Detail A. Connect the two assembled rear connector brackets to the shoreport leave loose until final assembly.

Step 2. Assemble front connectors the same as the rear connectors. Attach the arms with the square tube to the plates using four 3/8 x 1.0 carriage bolts and four 3/8 flange nuts each, as shown in Detail B. Then attach the front connector to the shoreport as far back as possible with the poly rod in the groove of the shoreport and tighten to 15-20ft/lbs on both sides.

Step 3. Attach the rails to the connectors on the shoreport. Slide the end of the rail into the square tube on the front connector arm and then insert four 3/8 x 2.0 hex bolts through the rear rail and into the plate on the rear connector arm. Secure with four flat washers and four 3/8 nyloc nuts. Once secured to the rear arm, secure to the front arm by inserting one 3/8 x 2-1/2 hex bolt through the drilled hole in the channel and rail tube. Secure with one 3/8 flat washer and 3/8 nyloc nut. Both rails attach in this manner.

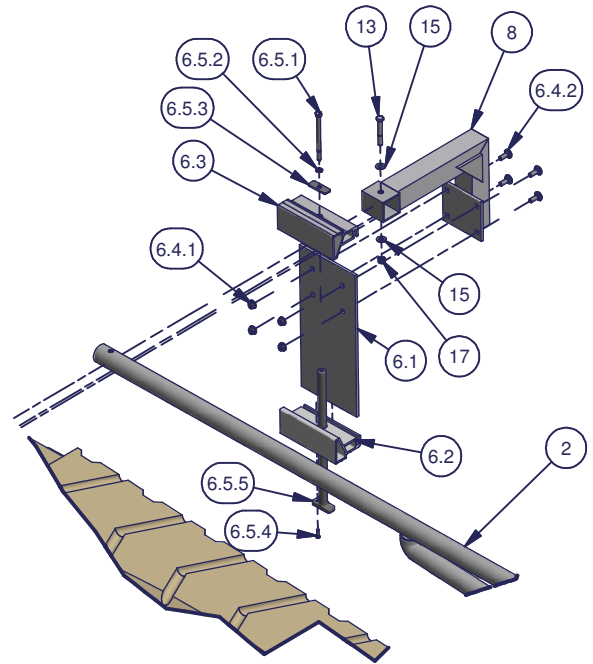
Step 4. Adjust if necessary and once in place tighten the 5/16 x 4-1/2 hex bolts in the rear connectors to 15-20ft/lbs. Check to make sure all hardware is tightened.



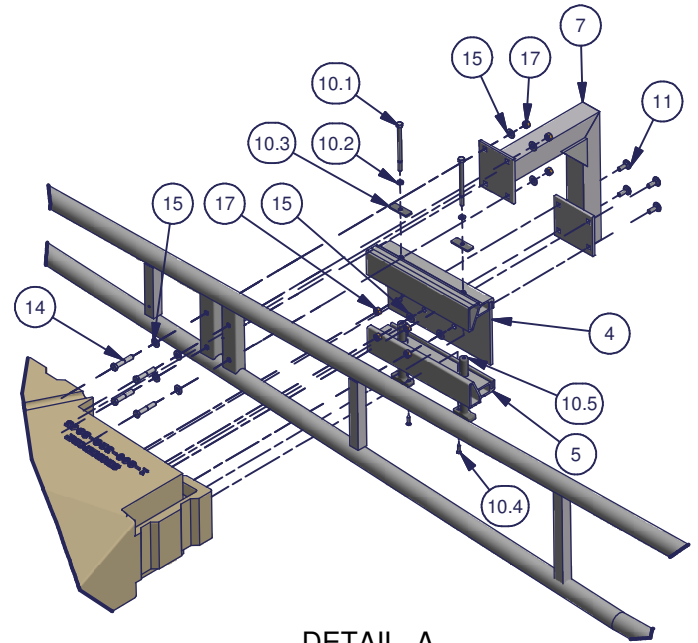
MEDIUM PIPE
BRACKET ONLY
ON BOW SIDES.
(PRT# - 1022953)

KAYAK LAUNCH FOR SHOREPORT

Parts List			
ITEM	QTY	PART NUMBER	DESCRIPTION
1	1	1007137	SHOREPORT (SOLD SEPARATELY)
2	2	1026414	Wdmt Kayak Launch Handrail - Right
4	2	1026404	Wdmt Rear Mount 12.0 Top - Kayak Launch
5	2	1004769	Dock Poly 12" Accessory Connector Bottom
-	2	1006608	Poly Dock ACC Connector 2005
6.1	2	1003252	Poly Dock Accessory Connector Plate - 14.375
6.2	2	1005728	Prt Accessory Connector Bottom - Poly Dock 6.5
6.3	2	1005729	Prt Accessory Connector Top - Poly Dock 6.5
-	2	1004575	Bolt Bag Poly Dock Accessory Connector
6.4.1	8	1001802	Nut Hex Flange 3/8-16 Serrated Brass
6.4.2	8	1001956	Bolt Carriage 3/8-16 x 1.0 SS 304
-	2	1004512	Poly Connector Rod Composite 13.875 w/ Hardware
6.5.1	2	1001025	Bolt Hex 5/16-18 x 4.5 Full Thread SS 304
6.5.2	2	1002606	Washer Lock 5/16 SS 304
6.5.3	2	1001026	Washer Rectangular SS 304 1/8 x 2.0 x .75
6.5.4	2	1002566	Screw Oval Phil #12 X 1.00 SS - SMS
6.5.5	2	1007918	Poly Connector Rod Composite 13.875
7	2	1026402	Wdmt Rear Arm - Kayak Launch
8	2	1026399	Wdmt Front Arm - Kayak Launch
-	4	1013052	Poly Connector Rod 5.875 with hardware (composite)
10.1	4	1001025	Bolt Hex 5/16-18 x 4.5 Full Thread SS 304
10.2	4	1002606	Washer Lock 5/16 SS 304
10.3	4	1001026	Washer Rectangular SS 304 1/8 x 2.0 x .75
10.4	4	1002566	Screw Oval Phil #12 X 1.00 SS - SMS
10.5	4	1001098	Poly Connector Rod Composite 5.875
-	1	1026416	Bolt Bag Kayak Launch Handrail
11	8	1001956	Bolt Carriage 3/8-16 x 1.0 SS 304
12	2	1002419	Bolt Hex 3/8-16 x 1.0 SS 304 - NOT USED
13	2	1002427	Bolt Hex 3/8-16 x 2.5 SS 304
14	8	1002424	Bolt Hex 3/8-16 x 2.0 SS 304
15	28	1002599	Washer Flat 3/8 SS
16	2	1002601	Washer Fender 3/8 x 1.5 SS - NOT USED
17	18	1001805	Nut Nyloc 3/8-16 Brass



DETAIL B



DETAIL A

