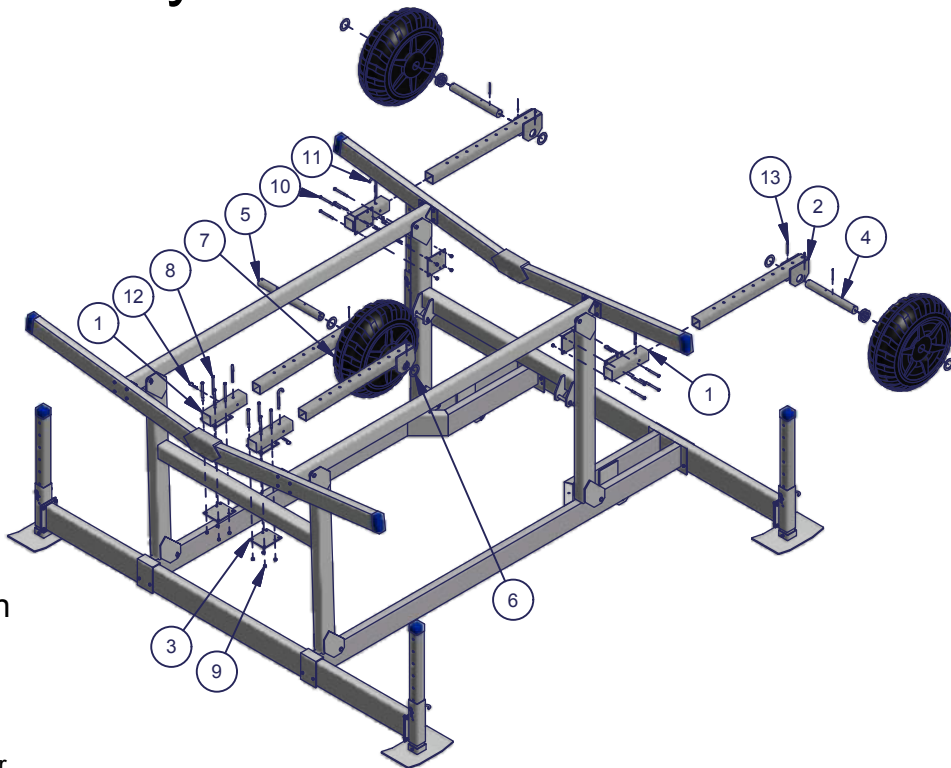


Hydraulic Lift Wheel Caddy

Instructions

Part #: 1007000

Parts List			
ITEM	QTY	PART NUMBER	DESCRIPTION
1	4	1003740	Leg Pocket - Hyd Wheel Caddy
2	4	1003739	Leg - Hyd lift wheel caddy
3	4	1003244	Connection plate
4	2	1005797	Prt Axle - Universal Wheel Caddy
5	1	1003242	Prt Axle - Wheel Caddy Front
6	12	1015730	Bushing 2.015 IDx3.0 OD x 18Gage
7	3	1007829	POLY TIRE (sold separate)
8	8	1002444	Bolt Hex 3/8-16 x 5.0 SS 304
9	16	1001802	Nut Flange Hex 3/8-16 Brass
10	8	1002438	Bolt Hex 3/8-16 x 4.0 SS 304
11	4	1002600	Pin-J 3/8 X 3-29/32 SS 304
12	4	1002278	Hair Pin Keeper #10 SS
13	10	1002569	Pin Cotter 1/4 x 2.5 SS



Failure to follow instructions may result in personal injury and may invalidate the applicable warranty.

Step 1. Assemble the wheels for the wheel caddy. Insert the axle through one leg, the wheel, and another leg. Place one bushing on each end of the axle and secure with a cotter pin on each end of the axle. Assemble the back two wheels by inserting the axle through the leg, placing one bushing on one side of the axle and a cotter pin on both sides of the leg. Then slide two bushings on the longer side of the axle, followed by the wheel, another bushing, and a cotter pin.

Step 2. Attach the front wheel to the lift. Secure two leg pockets to the front I-beam as shown. Place the leg pockets on top of the beam about 12-1/2" apart. Secure in place with a connection plate on the under side of the lift cross beam and insert four 3/8 x 5 hex bolts and four 3/8 hex nuts for each leg pocket. Adjust spacing if needed so the legs from the front wheel match up with the leg pockets and are centered on the lift and tighten fasteners.

Step 3. Attach the rear wheels to the I-beam. Place two leg pockets on the rear I-beam of the lift as shown. Secure in place by placing a connection plate on the other side of the beam and inserting four 3/8 x 5 hex bolts through the connection plate and into the holes of the leg pocket. Thread four 3/8 flange nuts on the bolts and tighten to secure leg pockets in place.

Step 4. When rear leg pockets are in desired location, slide the rear wheel legs into the leg pockets with the wheel facing out for greater stability. Secure the wheels at desired height by inserting a J-pin through the adjustment holes in the leg pocket and wheel leg. Make sure all wheels are in desired location and all hardware is tightened.

Note: 5" Bolts (Item #8) are used on the Front I-Beam and 4" Bolts (Item #10) are used on the Rear I-Beam - as shown above.

