

To replace a receiver board on a **Pre-2016 AC unit (SECO 5 mode switch buttons)** with the 2016 Model receiver. Kit includes 1 each 8 pin connector and 6 pin connector with wires attached. The new receiver is provided with connectors having wires attached. These wires will connect to the up/down switch, the Auto Control switch, and the terminal block below the transformer, and the Light terminal (if used). You will discard the old receiver and the wires attached to it.

1. White wires
 1. Loosen the two white wires on the terminal block that goes to the old receiver and the Up/Dn switch. Discard the white wire that goes to the center of the Up/Dn switch. Install the two white wires from the new receiver connectors, one from each connector into that terminal block position.
 2. Disconnect the Red wire connected to the Auto Control switch at the AC switch center.
 3. Install the white wire with piggy-back faston on the center of the Up/Dn switch. The other end of this white wire is crimped with a Red wire. Install this Red/White crimped terminal on the Auto Control switch center. The other end of this Red wire is in the Receiver 6-pin connector.
 4. Install the white wires with double crimp from the Receiver 8 pin connector onto the center of the Up/Dn switch, on top of the piggy back installed in step 3 above.
2. Remove the red wire to the old receiver from the terminal block. Install the red wire from the new receiver 8 pin connector to the terminal block.
3. Remove the black wire from the Up/Dn switch to the old receiver. Install the new black wire from the new receiver 8 pin connector to the top side of the Up/Dn switch.
4. Remove the orange wire from the Up/Dn switch to the old receiver. Install the new orange wire from the new receiver 8-pin connector to the bottom side of the Up/Dn switch.

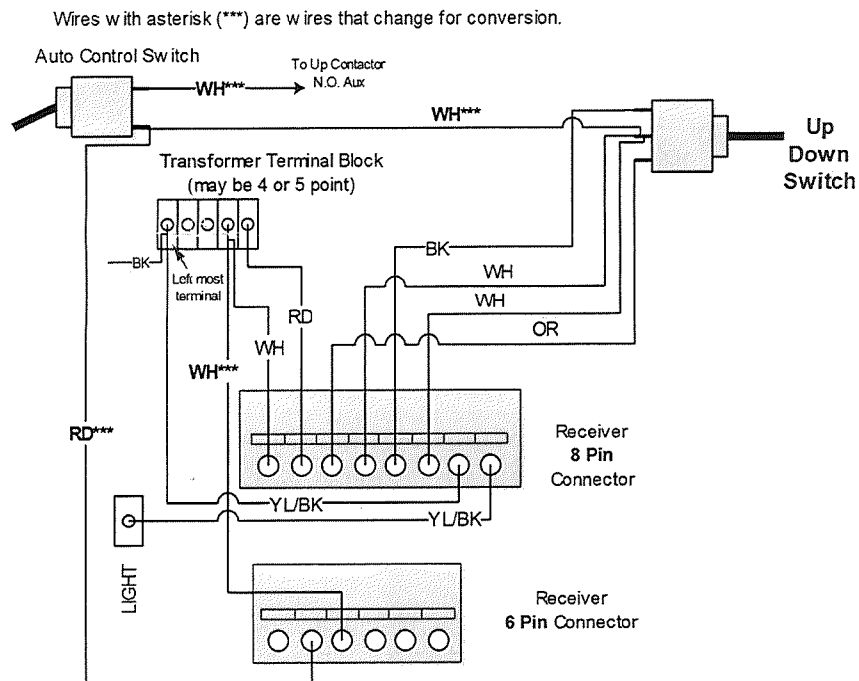
Do Not Uncoil Antenna on receiver board

SKIP steps 5 and 6 IF the LIGHTS wiring was NOT connected.

5. Loosen the YL/Bk wire on the terminal block below the transformer, position 1 that goes to the old receiver. Install either YL/Bk wire from the new receiver connector to the terminal block position 1.
6. Loosen the YL/Bk wire on the LIGHT terminal block that goes to the old receiver. Install the other YL/Bk wire from the new receiver connector to the LIGHT terminal block at the bottom of the enclosure.
7. **OBSERVE CORRECT ORIENTATION when plugging in the connectors to the new receiver! Connect the 8 pin first, then the 6 pin.**
8. **Learning Remote Codes** (if not pre-programmed at the factory) – **After Power is ON**
 - A. Press & hold the Learn Button on the receiver for 3 seconds and release.
 - B. Press & hold any transmitter button for 3 seconds and release.
 - C. Press & hold any transmitter button a second time for 3 seconds and release.

All Buttons and codes have been read. The remote is fully functional.

5 Second Delay between UP & Down on handheld Transmitter



To replace receiver board on a **Pre-2016 AC unit (All Star)** with the 2016 Model receiver that uses plug in connectors. Kit includes 1 each 8 pin connector and 6 pin connector with wires attached. The new receiver is provided with connectors having wires attached. These wires will connect to the up/down switch, the Auto Control switch, and the terminal block below the transformer, and the Light terminal (if used). You will discard the old receiver and the wires attached to it.

1. White wires
 1. Loosen the two white wires+grey, black, and orange wires on the terminal block that goes to the old receiver and the Up/Dn switch. Discard the white wire that goes to the center of the Up/Dn switch. Install the two white wires from the new receiver connectors, one from each connector into that terminal block position.
 2. Disconnect the Grey wire connected to the Auto Control switch at the center position.
 3. Install the white wire with piggy-back fasten on the center of the Up/Dn switch. The other end of this white wire is crimped with a Red wire. Install this Red/White crimped terminal on the Auto Control switch center. The other end of this Red wire is in the Receiver 6-pin connector.
 4. Install the white wires with the double crimp from the Receiver 8 pin connector onto the center of the Up/Dn switch, on top of the piggy back installed in step 3 above.
2. Remove the red wire to the old receiver from the terminal block. Install the red wire from the new receiver 8 pin connector to the terminal block.
3. Remove the black wire from the Up/Dn switch to the old receiver. Install the new black wire from the new receiver 8 pin connector to the top side of the Up/Dn switch.
4. Remove the orange wire from the Up/Dn switch to the old receiver. Install the new orange wire from the new receiver 8-pin connector to the bottom side of the Up/Dn switch.

Do Not Uncoil Antenna on receiver board

SKIP steps 5 and 6 IF the LIGHTS wiring was NOT connected.

5. Loosen the YL/Bk wire on the terminal block below the transformer, position 1 that goes to the old receiver. Install either YL/Bk wire from the new receiver connector to the terminal block position 1.
6. Loosen the YL/Bk wire on the LIGHT terminal block that goes to the old receiver. Install the other YL/Bk wire from the new receiver connector to the LIGHT terminal block at the bottom of the enclosure.
7. **OBSERVE CORRECT ORIENTATION when plugging in connectors to new receiver!**
Connect 8 pin first, then 6 pin.
8. **Learning Remote Codes** (if not pre-programmed at the factory) – **After Power is ON**
 - A. Press & hold the Learn Button on the receiver for 3 seconds and release.
 - B. Press & hold any transmitter button for 3 seconds and release.
 - C. Press & hold any transmitter button a second time for 3 seconds and release.

All Buttons and codes have been read. The remote is fully functional.

5 Second Delay between UP & Down on handheld Transmitter

