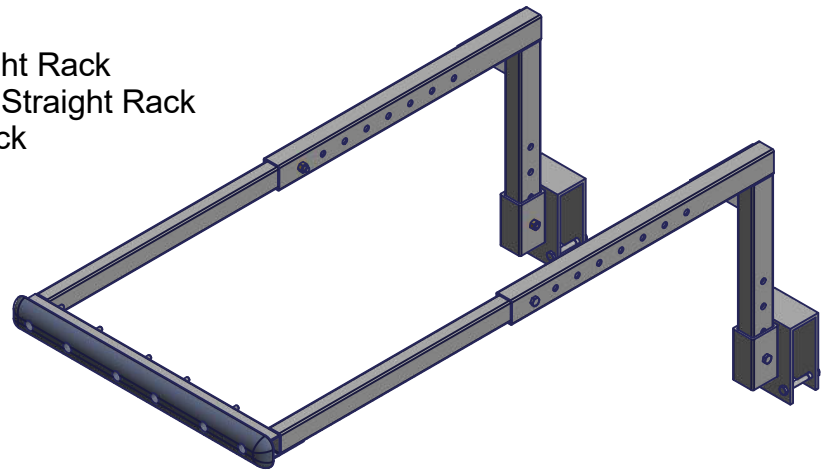


Pontoon Motor Stop

Instructions

- Part #: 1007017 - Pontoon Motor Stop - Straight Rack
 1028264 - Pontoon Motor Stop - 5510 Straight Rack
 1007021 - Pontoon Motor Stop - V-Rack

Parts List			
ITEM	QTY	PART NUMBER	DESCRIPTION
1	2	1005771	Motor Stop Arm
2	1	1025171	Motor Stop End Frame
3	2	1005653	Adjustable Cradle Pocket Straight Rack
(3)	2	1027585	Adjustable Cradle Pocket 5510 SR
(3)	1	1005814	Adjustable Cradle Pocket A - V-Rack
(3)	1	1005815	Adjustable Cradle Pocket B - V-Rack
4	2	1002424	Bolt 3/8 x 2.0
5	8	1001802	Flange Nut 3/8
6	1	1000954	Motor Stop Rubber
7	4	1002432	Bolt 3/8 x 3.0
8	2	1002429	Bolt 3/8 x 2.25

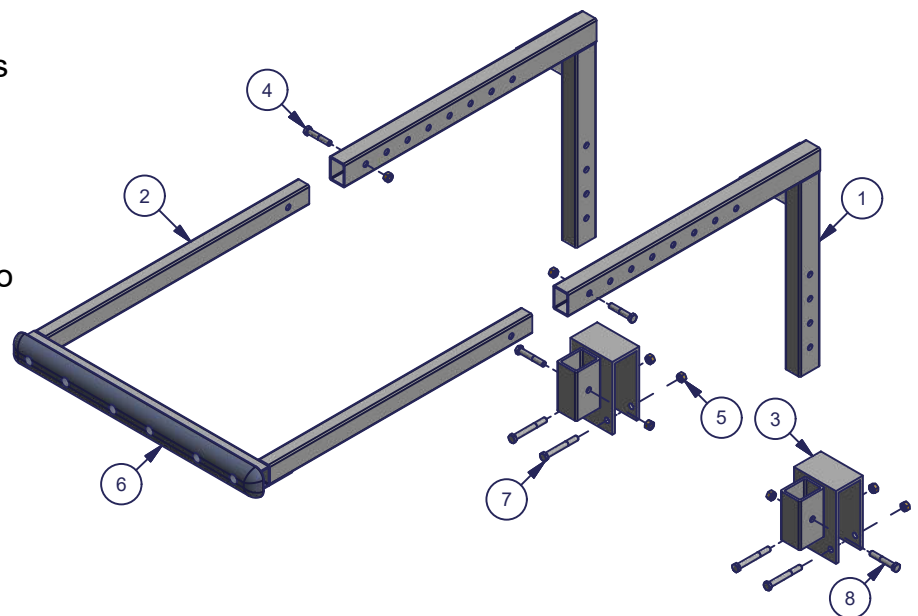


Failure to follow instructions may result in personal injury and may invalidate the applicable warranty.

Step 1. Slide Motor Stop End Frame into the long arm of the Motor Stop Arms and bolt in desired position with two 3/8 x 2 hex bolts and two 3/8 Brass Nuts - as shown.

Step 2. Slide the short arm of Motor Stop Arms into the Adjustable Cradle Pockets and bolt in desired position using two 3/8 x 2-1/4 Hex Bolts and two 3/8 Brass Nuts.

Step 3. Slide the Adjustable Cradle Pockets over the rear rack beam, (straight rack shown, V-rack available) center on rear rack beam and bolt into position using four 3/8 x 3 hex bolts, and four 3/8 Brass Flange Nuts - as shown.



Note: Adjustable pontoon motor stop may require adjustment once pontoon