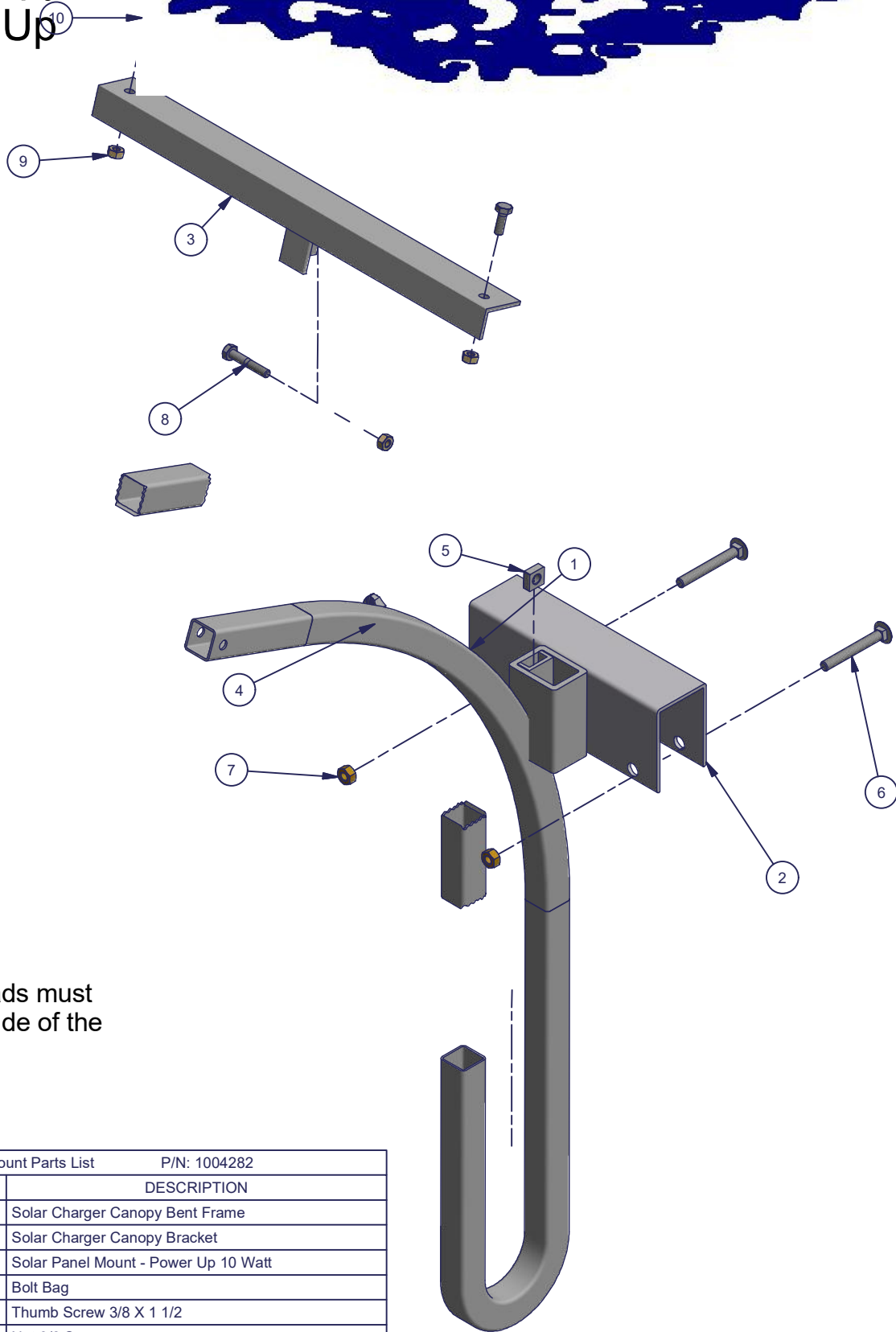


Part # 1004282
 Solar Charger Canopy
 Mount 10W Power Up



NOTE: Carriage Bolt heads must be positioned on the outside of the canopy - as shown.

Solar Charger Canopy Mount Parts List			P/N: 1004282
ITEM	QTY	PART NUMBER	DESCRIPTION
1	1		Solar Charger Canopy Bent Frame
2	1	1003748	Solar Charger Canopy Bracket
3	1	1019823	Solar Panel Mount - Power Up 10 Watt
--	1	1004514	Bolt Bag
4	1	1002421	Thumb Screw 3/8 X 1 1/2
5	1	1002598	Nut 3/8 Square
6	2	1001970	Carriage Bolt 5/16 X 2 1/2
7	2	1001807	Nut 5/16
8	1	1002399	Bolt Hex 1/4 X 1.5
9	3	1001798	Nut Nyloc 1/4
10	2	1000557	Bolt Hex 1/4 X .75