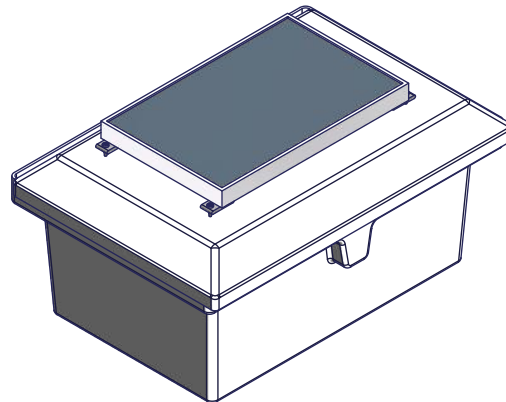


Solar Panel 10 Watt Kit Instructions

Part #: 1019388

Parts List			
ITEM	QTY	PART NUMBER	DESCRIPTION
1	1	1026710	10 Watt Power Up Solar Panel
-	1	1007964	Bolt Bag
2	4	1007966	Aluminum Tab
3	4	1007916	Countersunk Bolt 1/4" x 3/4"
4	4	1002560	Pan Screw #12 x 3/4"
5	4	1001798	Nyloc Nut 1/4"



Failure to follow instructions may result in personal injury and may invalidate the applicable warranty.

Step 1. Attach Aluminum Tabs to 10 Watt Solar Panel using four 1/4" x 3/4" Countersunk Bolts and four 1/4" Nyloc Nuts.

Step 2. Attach 10 Watt Solar Panel to Lid of Hydraulic Box using #12 x 3/4" Pan Screws.

Note: Drill 1/8" pilot holes about 1/2" deep prior to attaching lid to box.

Step 3. Run 10 Watt Solar Panel power cord through access hole on side of Hydraulic Box and attach to battery terminals (white = positive +, black = negative -).

