

Pontoon Cradles

Instructions

Part #: 1007004

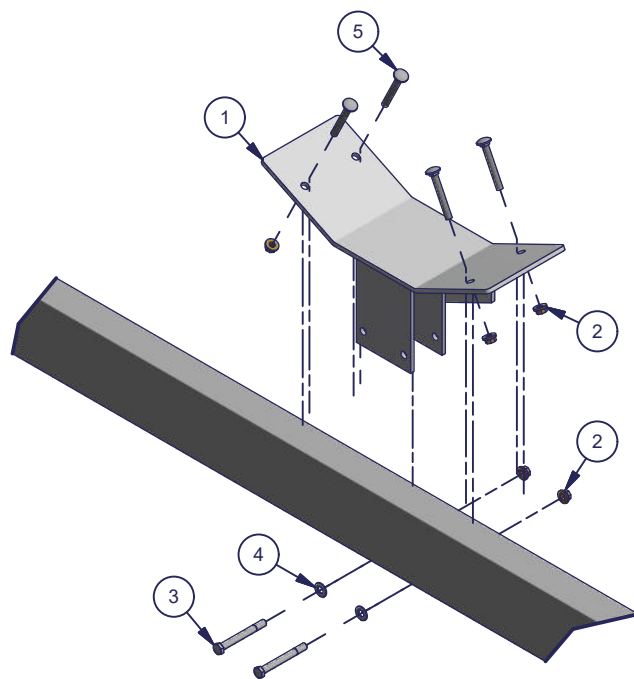
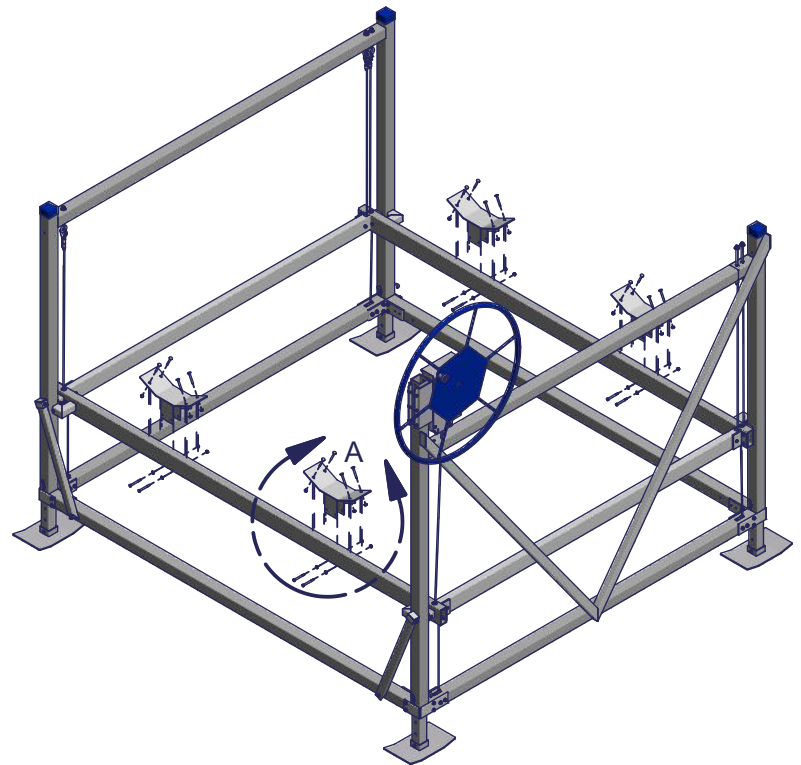
Parts List				
ITEM	QTY	PART NUMBER	DESCRIPTION	
1	4	1003801	Wdmt Bracket Pontoon Cradle	
-	1	1004441	Bolt Bag - Pontoon Cradle	
2	24	1001802	Nut Flange 3/8	
3	8	1002436	Bolt 3/8 x 3.25	
4	8	1002599	Washer Flat 3/8	
5	16	1001960	Bolt Carriage 3/8-16 x 2.5 SS 304	

Failure to follow instructions may result in personal injury and may invalidate the applicable warranty.

NOTICE Be sure to countersink carriage bolts into the bunks to avoid watercraft damage.

Step 1. Attach each Pontoon Cradle Bracket to the lift rack. Secure with two 3/8 x 3-1/4 Hex Bolts, two 3/8 Flat Washers and two 3/8 Flange Nuts as shown.

Step 2. Attach two bunks or boards (Not Included) to each Pontoon Cradle Bracket. Secure each one with two 3/8 x 2-1/2 Carriage Bolts and two 3/8 Flange Nuts - as shown.



DETAIL A