

ACCESSORIES

Infinity Dock System TS9 Accessory Connector

Instructions

Part #: 1006730

Parts List			
ITEM	QTY	PART NUMBER	DESCRIPTION
1	1	1000876	T Handle 2.5 w/ 3/8 x 1.5
2	4	1001956	Bolt Carriage 3/8 X 1.0
3	4	1001802	Nut Flange 3/8
4	1	1000989	TS9 Accessory Connector

Failure to follow instructions may result in personal injury and may invalidate the applicable warranty.

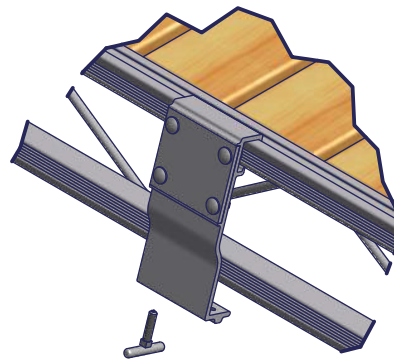
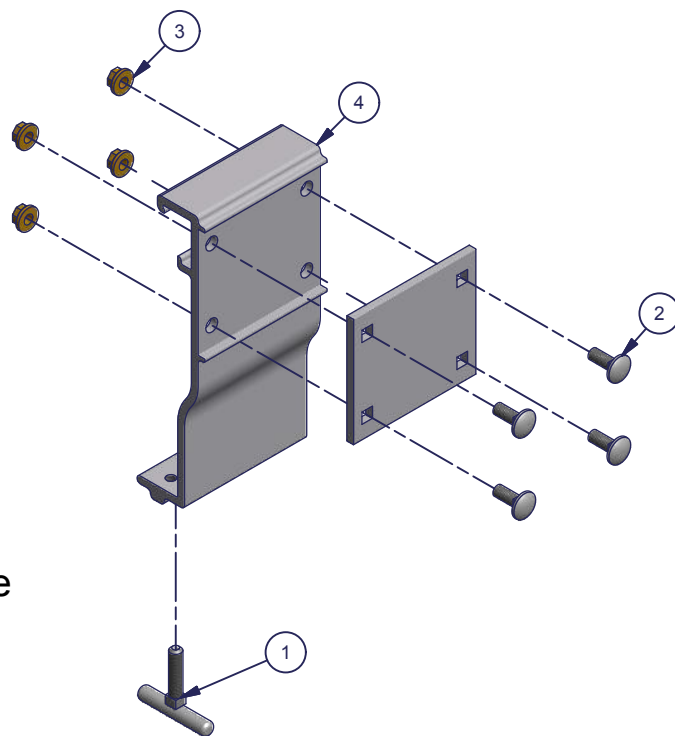
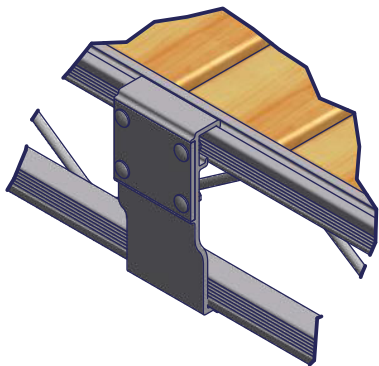
Step 1. Attach the Accessory Connector Bracket to the Accessory Connector Plate. Secure with four 3/8 x 1 Carriage Bolts and four 3/8 Square Nuts.

Note: The Accessory Connector Plate is welded to the accessory.

Step 2. Put top of accessory connector bracket into top rail of dock frame.

Step 3. Pivot the connector bracket down and thread the 2 1/2 - 3/8 x 1-1/2 T-Handle into the center hole on the bottom of the Accessory Connector Bracket.

Note: The outer holes on the Accessory Connector Bracket are used when two 2 1/2 - 3/8 x 1-1/2 T-Handle are needed. The extra T-Handle will be included where required.



Pivot the top lip of the Accessory Connector Bracket assembly into the Groove on the top of the dock frame - as shown.

Once the Accessory Connector Bracket assembly is in the desired place, tighten the 2 1/2 - 3/8 x 1 1/2 T-Handle - as shown.

Note: Be sure to avoid the access holes on the bottom of the dock frame when tightening the T- Handle.