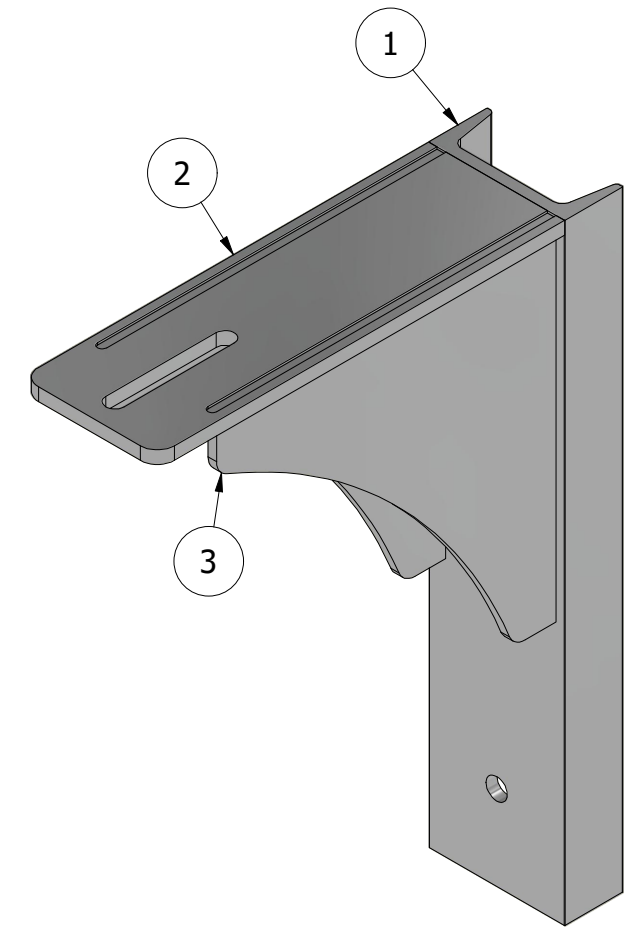
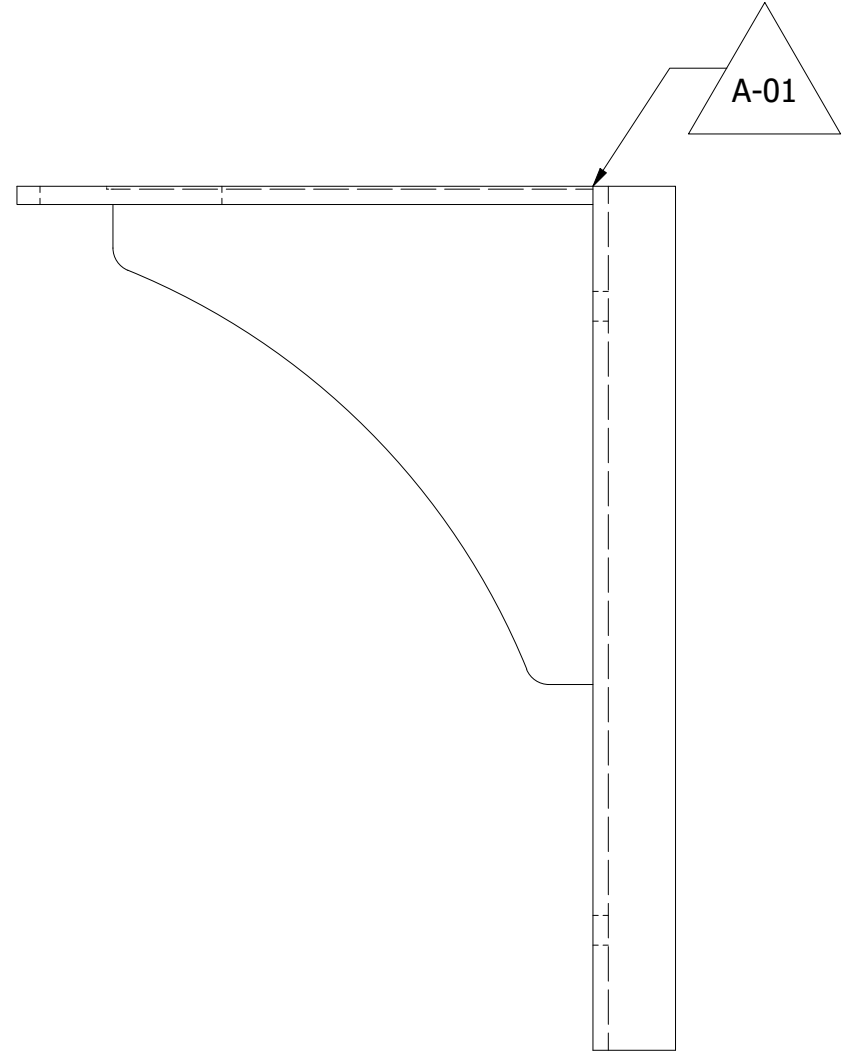
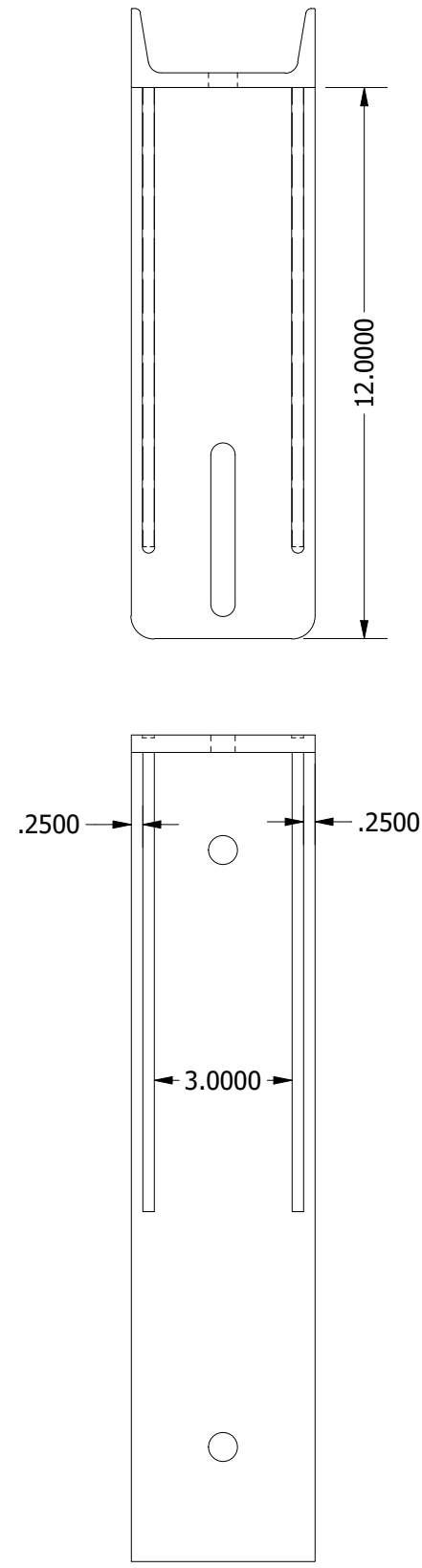


PARTS LIST				
ITEM	QTY	PART NUMBER	DESCRIPTION	REVISION NUMBER
1	1	MP-BL-2088	BOAT HOUSE SIDE MOUNT CHANNEL	A-01
2	1	MP-BL-2089	BOAT HOUSE SIDE MOUNT PLATE	A-01
3	2	MP-BL-0544	10" GUSSET	-



REVISION HISTORY			
REV	DESCRIPTION	DATE	APPROVED
A-01	MOVED PLATE FLUSH WITH TOP	10/6/2021	ACC
-	DRAWING CREATED	3/16/2020	ACC

UNLESS OTHERWISE SPECIFIED: DIMENSIONS ARE IN INCHES TOLERANCES: .X = ± .1 FRACTIONAL = ± .1 .XX = ± .01 ANGULAR = ± 1 .XXX = ± .005 .XXXX = ± .0005 DO NOT SCALE DRAWING		NAME	DATE	TIDE TAMER INDUSTRIES, INC. TITLE: BOATHOUSE SIDE MOUNT BRACKET
DRAWN	ACC	3/16/2020		
DWG. REV.	-			
CHECKED				
ENG. APPR.				
PROPRIETARY AND CONFIDENTIAL THE INFORMATION CONTAINED IN THIS DRAWING IS THE SOLE PROPERTY OF TIDE TAMER INDUSTRIES, INC. ANY REPRODUCTION IN PART OR AS A WHOLE WITHOUT THE WRITTEN PERMISSION OF TIDE TAMER INDUSTRIES, INC. IS PROHIBITED.		COMMENTS:		SIZE B
				PART NO. W-BL-2024
				MODEL REV. A-01
				MATERIAL Welded Aluminum-6061
				SHEET 1 OF 1