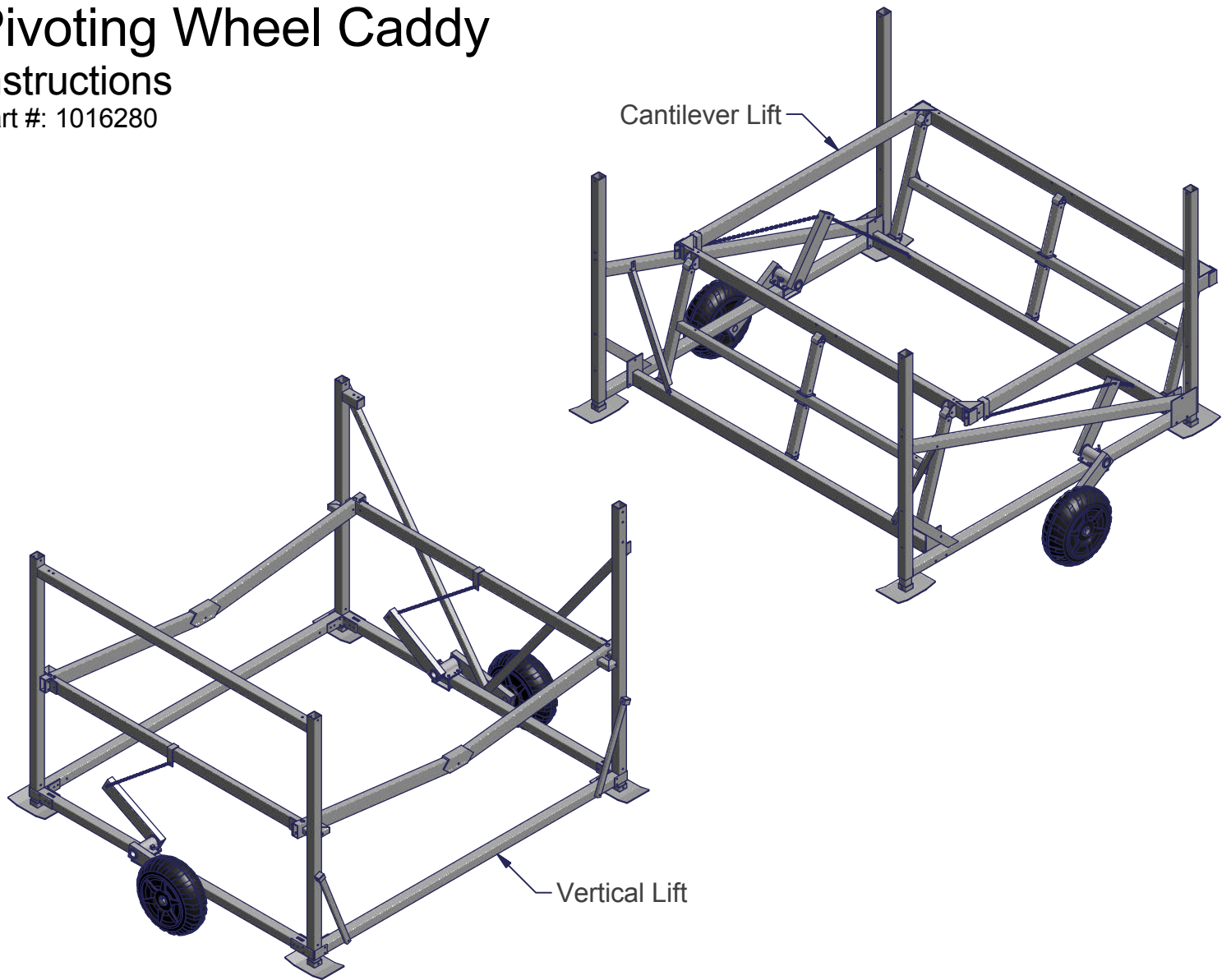


Pivoting Wheel Caddy

Instructions

Part #: 1016280



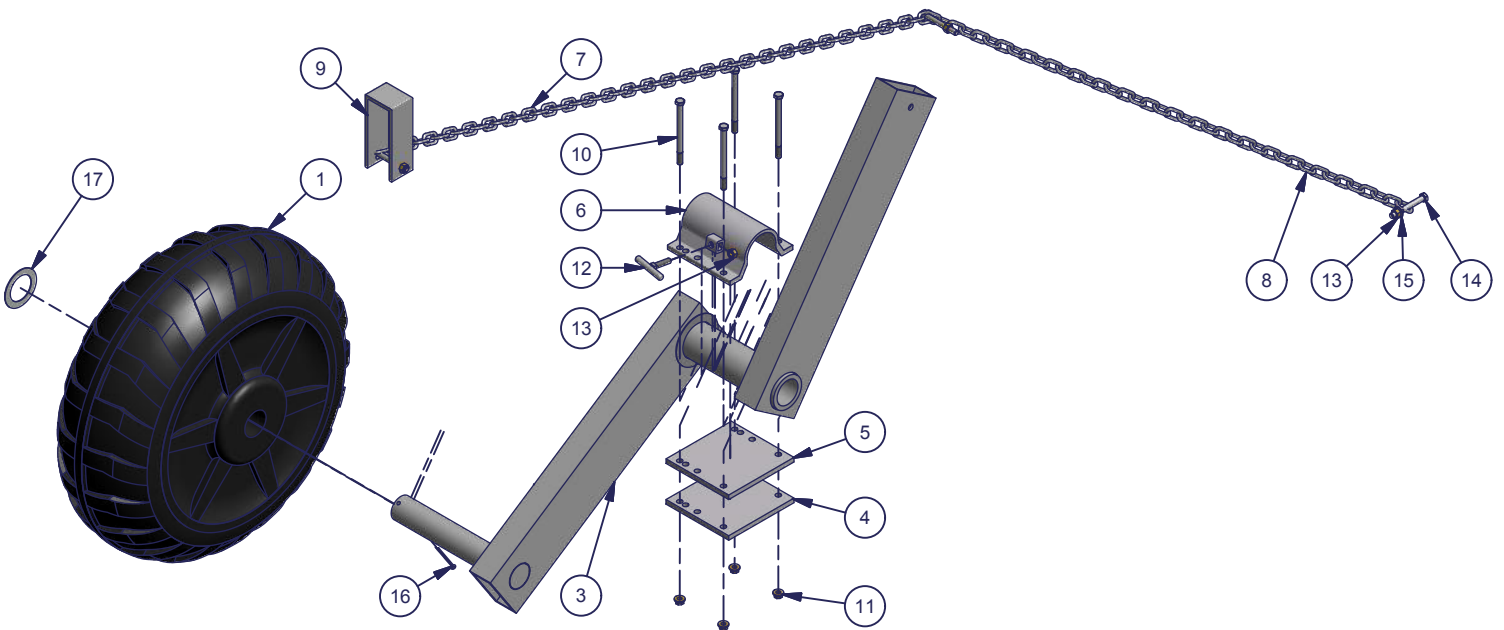
CAUTION - PUT SAFETY FIRST

1. NOT COMPLYING WITH THE PROCEDURES AND PRECAUTIONS OUTLINED IN THIS MANUAL MAY RESULT IN PERSONAL INJURY OR DEATH AND WILL INVALIDATE THE WARRANTY.

Before attempting to install or use this wheel caddy, study and fully understand the proper operating procedures and safety precautions outlined in this owner's manual.

3. If you have any questions about assembly, installation, use or suitability of this product, contact an authorized dealer or ShoreMaster directly at 1-800-328-8945.

Parts List			
ITEM	QTY	PART NUMBER	DESCRIPTION
1	2	1007829	Poly Wheel
2	1	1016282	Wdmt Wheel Caddy Frame Left
3	1	1016283	Wdmt Wheel Caddy Frame Right
--	1	1016281	Hardware Box Wheel Caddy Pivoting
4	2	1016285	Wheel Caddy Connector
5	2	1016503	Wheel Caddy Spacer (has 1/2" holes)
6	2	1016107	2 Piece Hub Bracket
7	2	1005825	Chain .1875x58 Link
8	2	1005824	Chain .1875x42 Link
9	2	1025158	Prt Channel 2.0 - Wheel Caddy
--	1	1016284	Bolt Bag Wheel Caddy 09
10	8	1002444	Bolt Hex 3/8-16 x 5.0 SS 304
11	8	1001802	Nut Flange 3/8-16 Brass
12	2	1000876	T Handle 3/8-16 x 1.5x2.5 w/ Cup Point
13	8	1001803	Nut Hex 3/8-16 Brass
14	6	1002432	Bolt Hex 3/8-16 x 3.0 SS 304
15	2	1002599	Washer Flat 3/8 SS
16	2	1002569	Pin Cotter 1/4 x 2.5 SS
17	4	1015730	Bushing 2.015 IDx3.0 OD x 18Gage



BOAT LIFT ACCESSORIES

Cantilever Lift Assembly

Failure to follow instructions may result in personal injury and may invalidate the applicable warranty.

STEP 1

On each Lift Side measure 71" from the inside of the front Lift Side Upright and make a mark on the Lift Side Bottom Beam. Place the Spacer Plate (has 1/2" holes) on the mark. Next place the Wheel Caddy Pivot Left on the Lift Side Left Bottom Beam on top of the Spacer Plate. Then the Wheel Caddy Right on the Lift Side Right Bottom Beam on top of the Spacer Plate with the front of the Pivot Bracket on the mark. Make sure wheel caddy bracket is between axle washers. Secure with Connector Plate under lift side bottom beam and wheel caddy bracket over axle of wheel caddy pivot, using four 3/8 x 5 hex bolts and four 3/8 brass flange nuts - as shown in Detail "A."

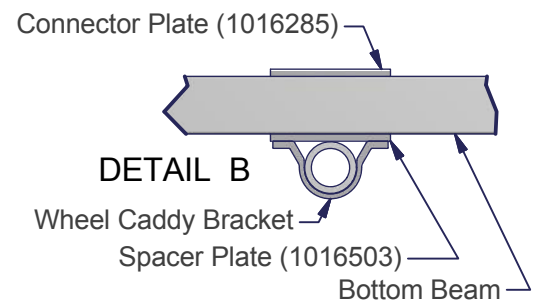
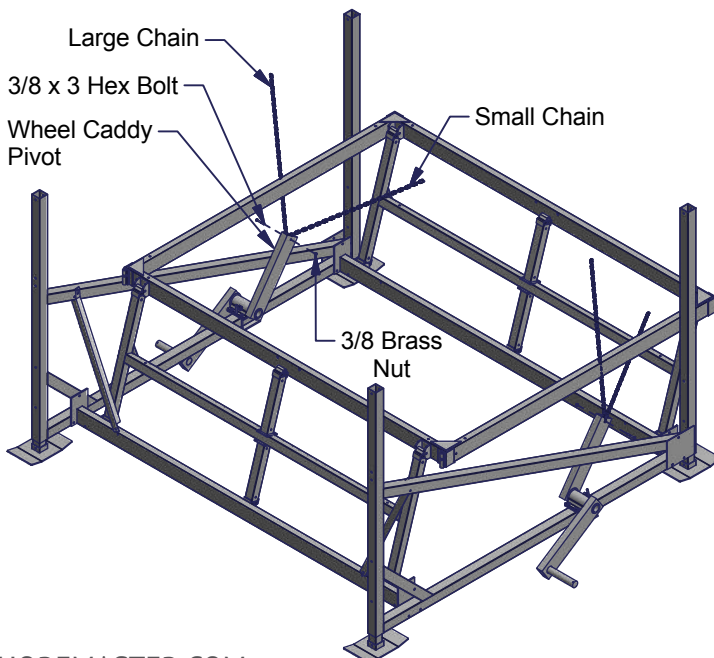
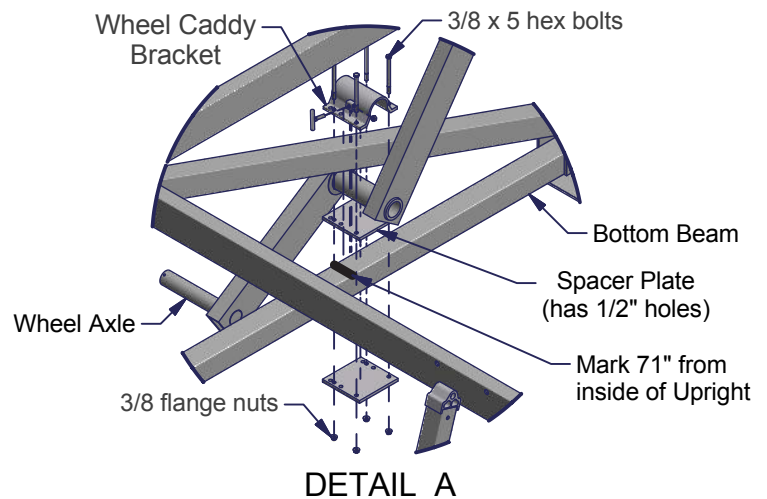
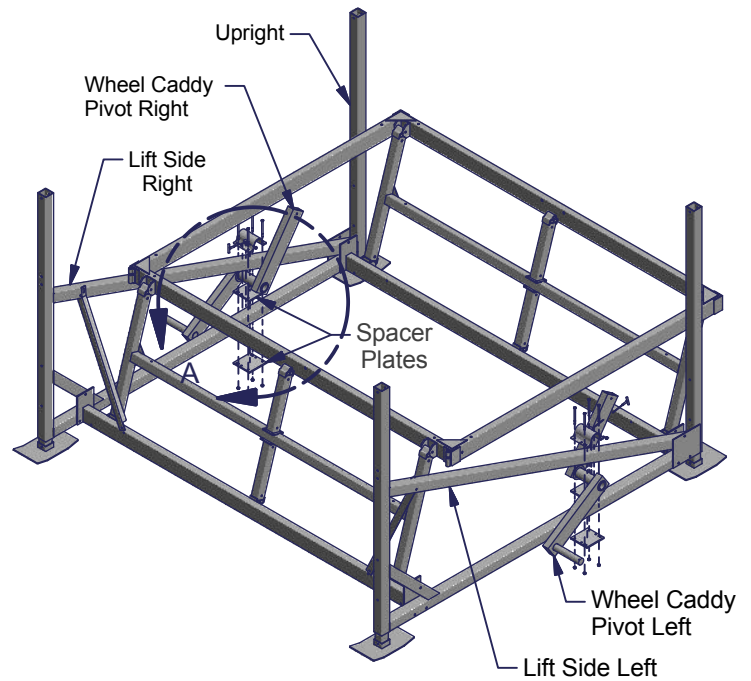
Note: The wheel axle must be positioned to the outside of the lift.

Note: The Wheel Caddy Pivots may also be positioned under the lift bottom beam to allow the lift rack to be lowered further (as shown in Detail B).

STEP 2

Attach one Large Chain and one Small Chain to each Wheel Caddy Pivot with one 3/8 x 3 hex bolt and one 3/8 brass nut - as shown.

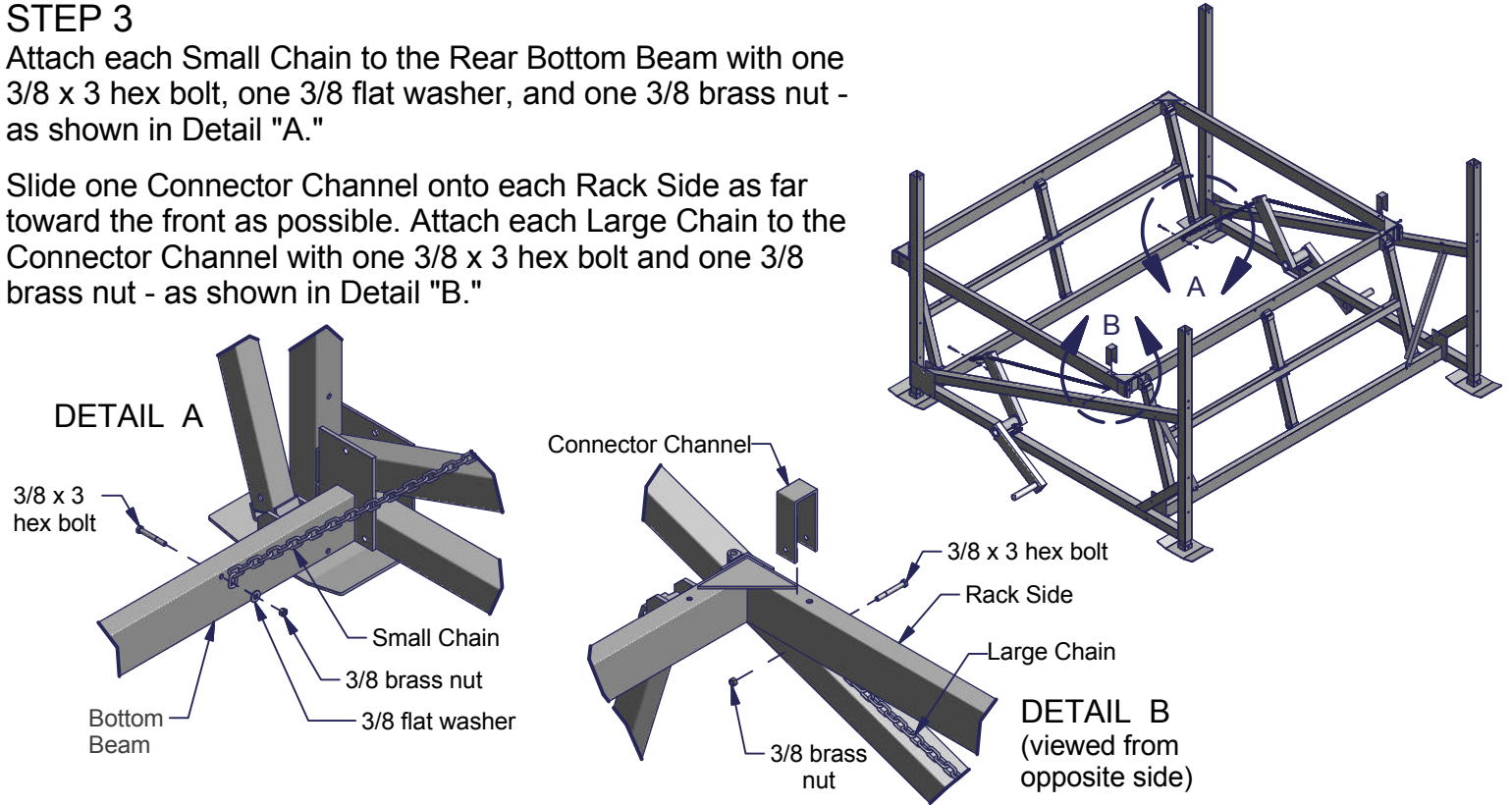
Note: Insert the end of each chain into the end of the pivot and secure by inserting the bolt through all.



STEP 3

Attach each Small Chain to the Rear Bottom Beam with one 3/8 x 3 hex bolt, one 3/8 flat washer, and one 3/8 brass nut - as shown in Detail "A."

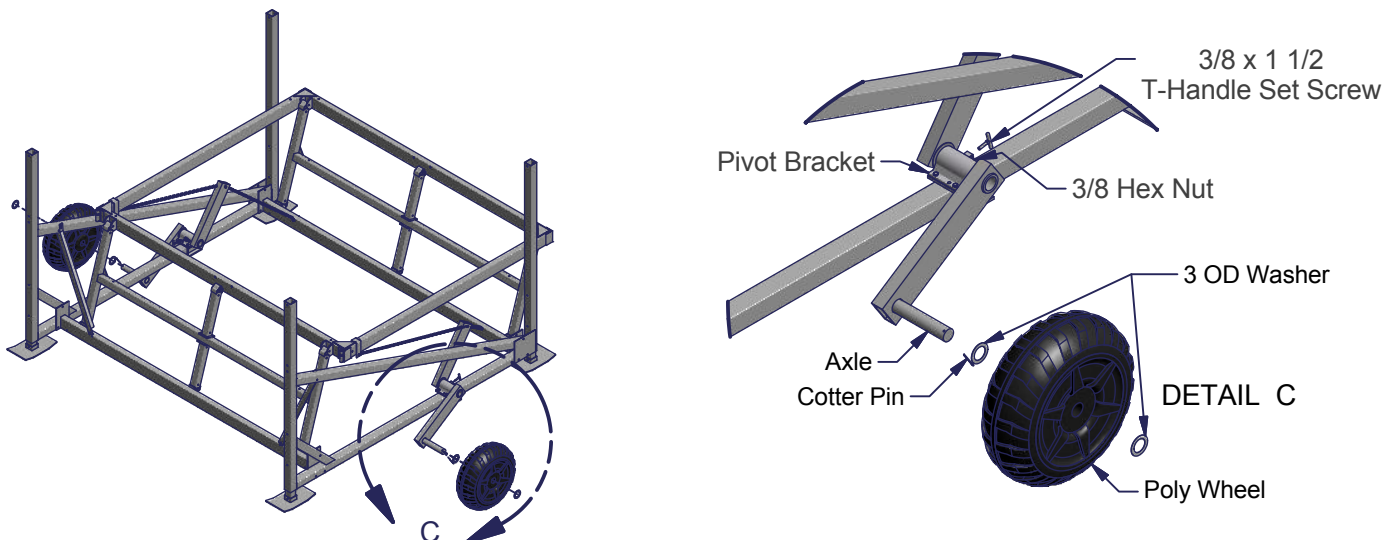
Slide one Connector Channel onto each Rack Side as far toward the front as possible. Attach each Large Chain to the Connector Channel with one 3/8 x 3 hex bolt and one 3/8 brass nut - as shown in Detail "B."



STEP 4

Slide one 3 OD washer, one poly wheel and then another 3 OD washer, onto each wheel caddy pivot axle - as shown in Detail "C." Secure each poly wheel by inserting one cotter pin into each axle and bending the end slightly.

Insert 3/8" hex nut into the nut holder in the wheel caddy pivot bracket and thread the 3/8" x 1-1/2" t-handle set screw loosely into the 3/8" hex nut on the pivot bracket - as shown in Detail "C."



BOAT LIFT ACCESSORIES

Vertical Lift Assembly

Failure to follow instructions may result in personal injury and may invalidate the applicable warranty.

STEP 1

On each Lift Side measure 71" from the inside of the front Lift Side Upright and make a mark on the Lift Side Bottom Beams.

Place the Spacer Plate (has 1/2" holes) on the mark. Next place the Wheel Caddy Pivot Left on top of the Spacer Plate on the Lift V-Side Bottom Beam. Then place the Wheel Caddy Right on top of the Spacer Plate on the Lift Opposite Side Bottom Beam and secure with one Connector Plate under the lift side bottom beam and place the wheel caddy bracket over the axle of the wheel caddy pivot and between the axle washers, using four 3/8 x 5 hex bolts, and four 3/8 Brass Flange Nuts - as shown in Detail "A."

Note: The wheel axle must be position to the outside of the lift.

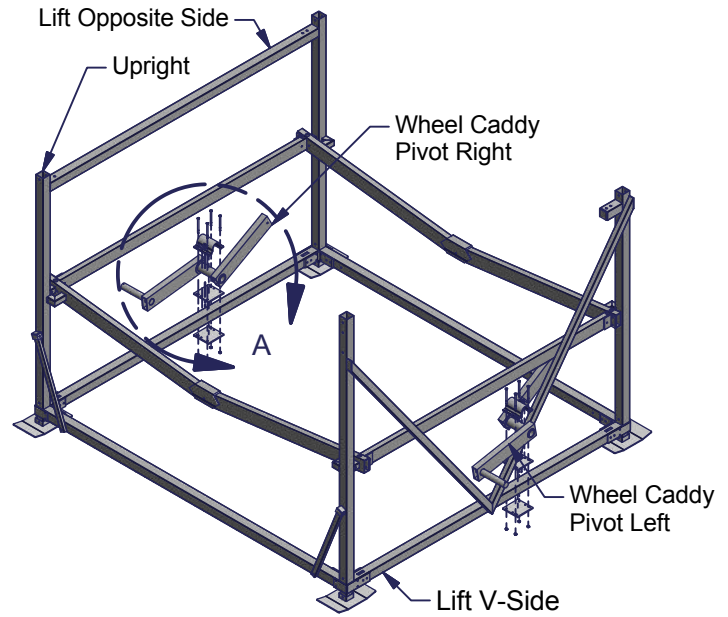
Note: The Wheel Caddy Pivots may also be positioned under the lift bottom beams to allow the lift rack to be lowered futher (as shown in Detail B).

STEP 2

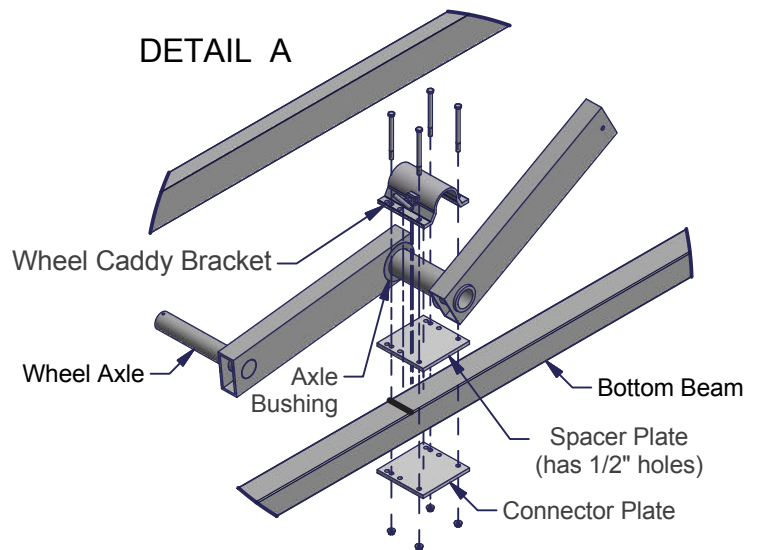
Attach one Small Chain to each Wheel Caddy Pivot with one 3/8 x 3 hex bolt and one 3/8 Brass Nut - as shown.

Note: Long Chain's are not used on Vertical Lifts.

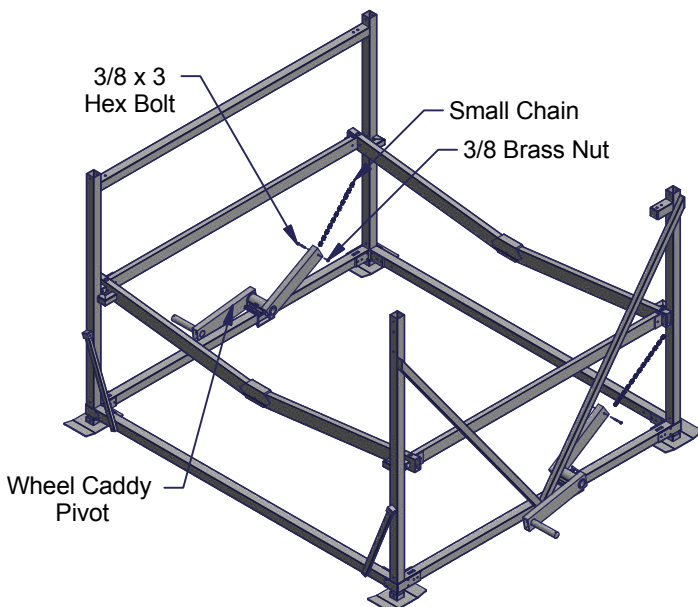
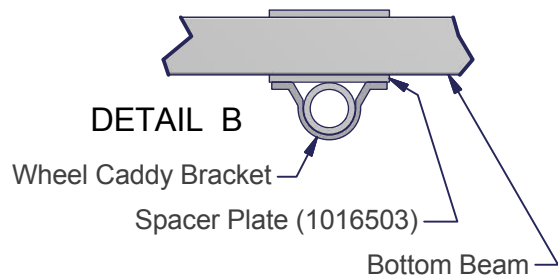
Note: Insert the end of the chain into the end of the pivot and secure by inserting the bolt though all.



DETAIL A

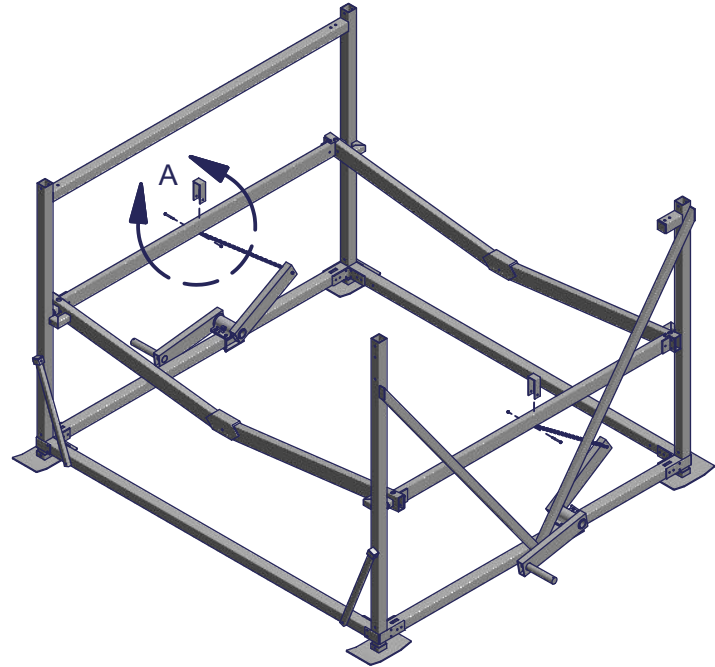
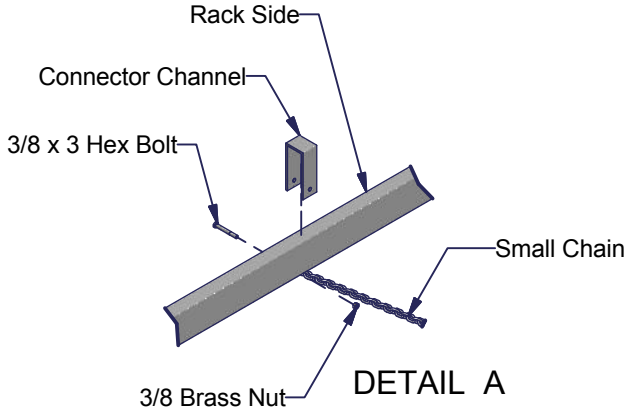


DETAIL B



STEP 3

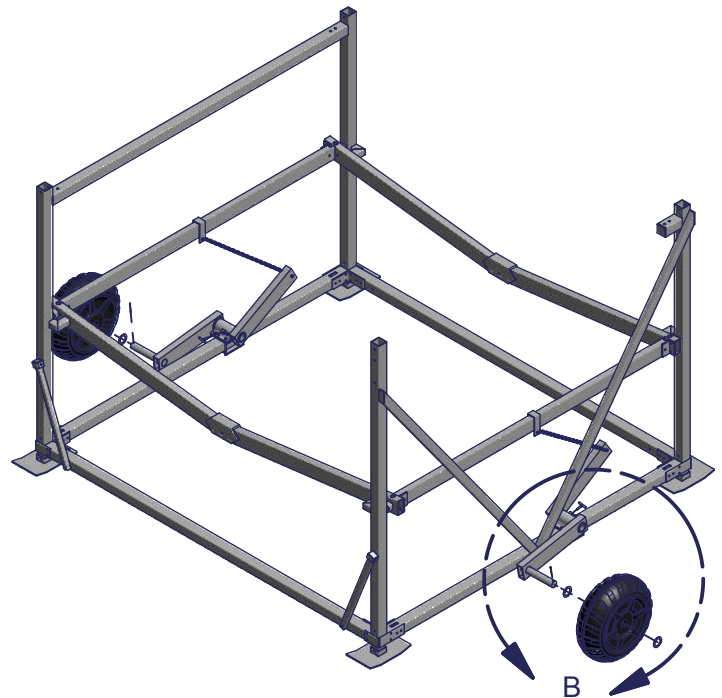
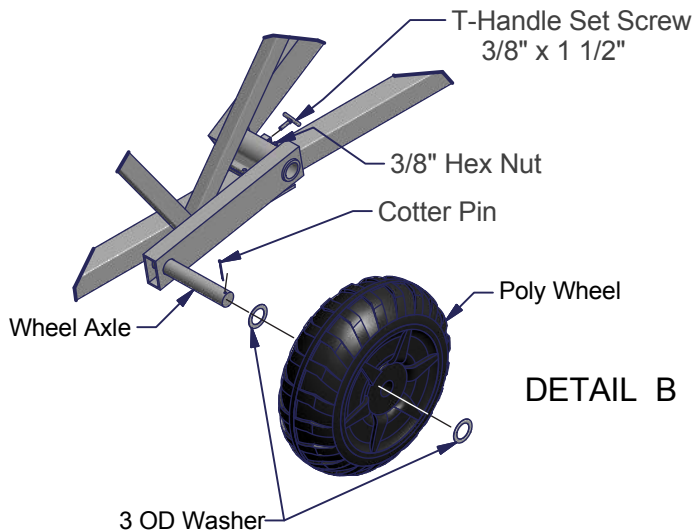
Slide one Connector Channel onto each Rack Side, make sure the channel is placed a few inches further back than the pivot point of the wheel caddy. Attach each Small Chain to the Connector Channel with one 3/8 x 3 hex bolt and one 3/8 Brass Nut - as shown in Detail "A".



STEP 4

On each Wheel Caddy Pivot Axle, slide one 3 OD Washer, one Poly Wheel and then another 3 OD Washer - as shown in Detail "A." Secure each Poly Wheel by inserting one Cotter Pin into each Axle and bending the end slightly.

Insert 3/8" Hex Nut into the nut holder in the Wheel Caddy Pivot Bracket and Thread the T-Handle Set Screw 3/8" x 1 1/2" loosely into the 3/8" Hex Nut on the Pivot Bracket - as shown in Detail "A."



OPERATION AND USE

NOTICE Before raising the lift with the Wheel Caddy, the foot pads and bottom members of the lift must be free from sand, dirt and mud. Failure to do so can cause damage to the lift and Wheel Caddy. **Do not use wheel caddy while watercraft is still on the lift.**

WARNING To avoid personal injury be sure the entire lift is properly maintained before using Wheel Caddy. If a part should break or loosen during operation, damage may result, or a crushing or pinching injury could occur. When raising the Wheel Caddy do not over raise. If the Wheel Caddy is rotated to far (over center) the Wheel Caddy will collapse and the lift will drop rapidly. Damage to equipment will occur and it could PINCH OR CRUSH YOU.

-Be sure the area you are installing the lift in is safe. Position yourself on the outside corners of the lift when rolling it into place. DO NOT position yourself under, on top, or inside the lift during installation.

-If Wheel Caddy is left in place and not properly secured, it can become a hazard to swimmers and boats.

STEP 1

To raise the lift, after the Wheel Caddy is completely assembled and installed, turn the lift wheel clockwise.

Raise the lift to the point where you can push the lift on the wheels. Tie a rope or wire around the lift wheel and lift side upright to prevent it from spinning down during transport.

STEP 2

After the Wheel Caddy has been properly attached and raised, it can be rolled into position and lowered (turn the wheel counter-clockwise) into position. You may now remove the rope from the wheel.

STEP 3

Before disconnecting the chains, the lift rack must be lowered until the lift is no longer supported by the wheels but by the lift foot pads. It is recommended that the rack be lowered to the lowest position.

Disconnecting the chains from the lift is the minimum requirement for use of the lift. However, due to the effects of wave action on the Poly Wheels and Axles, it is recommended that you completely remove the Wheel Caddy from the lift, or remove the Poly Wheels and tighten the T-Handle set screw on the Wheel Caddy Connector Brackets to secure the axle.

SERVICE

Check axle and pivot areas every three months to be sure there is no excessive wear.

Check all components once a year for cracks, breaks or wear. If damage has occurred to the Wheel Caddy replace damaged parts before use.