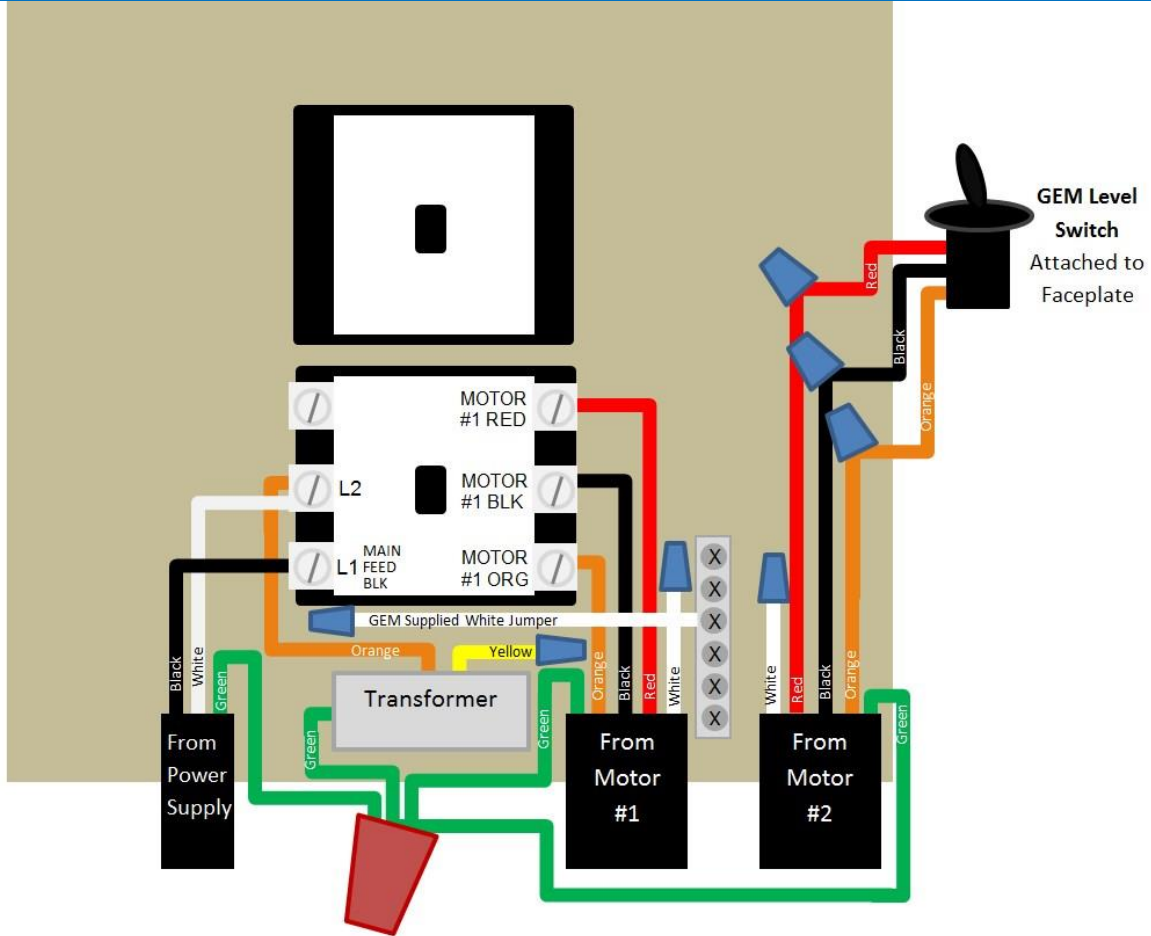


# GEM WIRING INSTRUCTIONS 230V



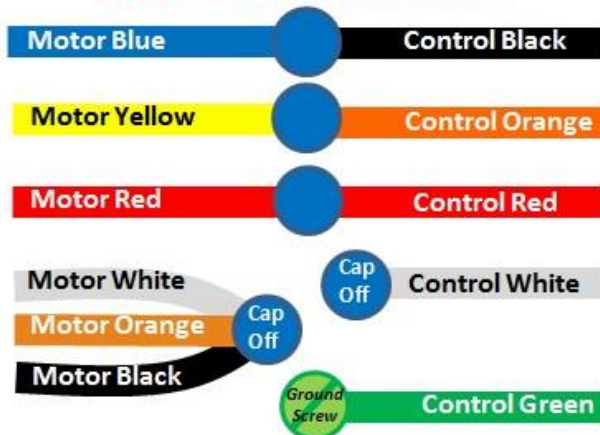
Use the diagram below if your motor is a new 56 frame Aqua Marine Supply motor from Regal Beloit



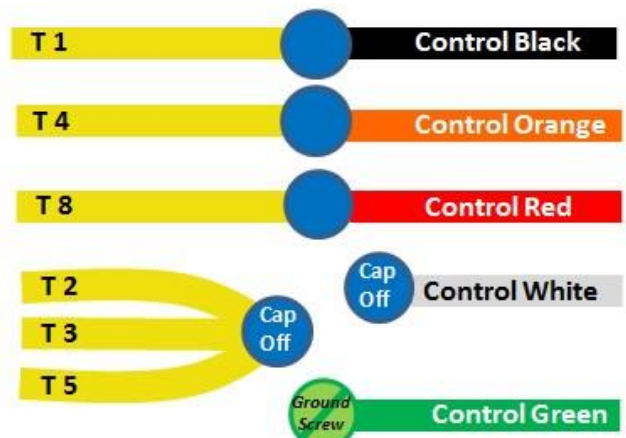
Use the diagram below if your motor is a 56 frame Aqua Marine Supply/LEESON stainless steel motor



## 230V Connections



## 230V Connections



# GEM WIRING INSTURCTIONS 230V

Use the diagram below if your motor is a 56 frame Aqua Marine Supply motor from Regal Beloit/AO Smith with terminal board



## 230V Connections

