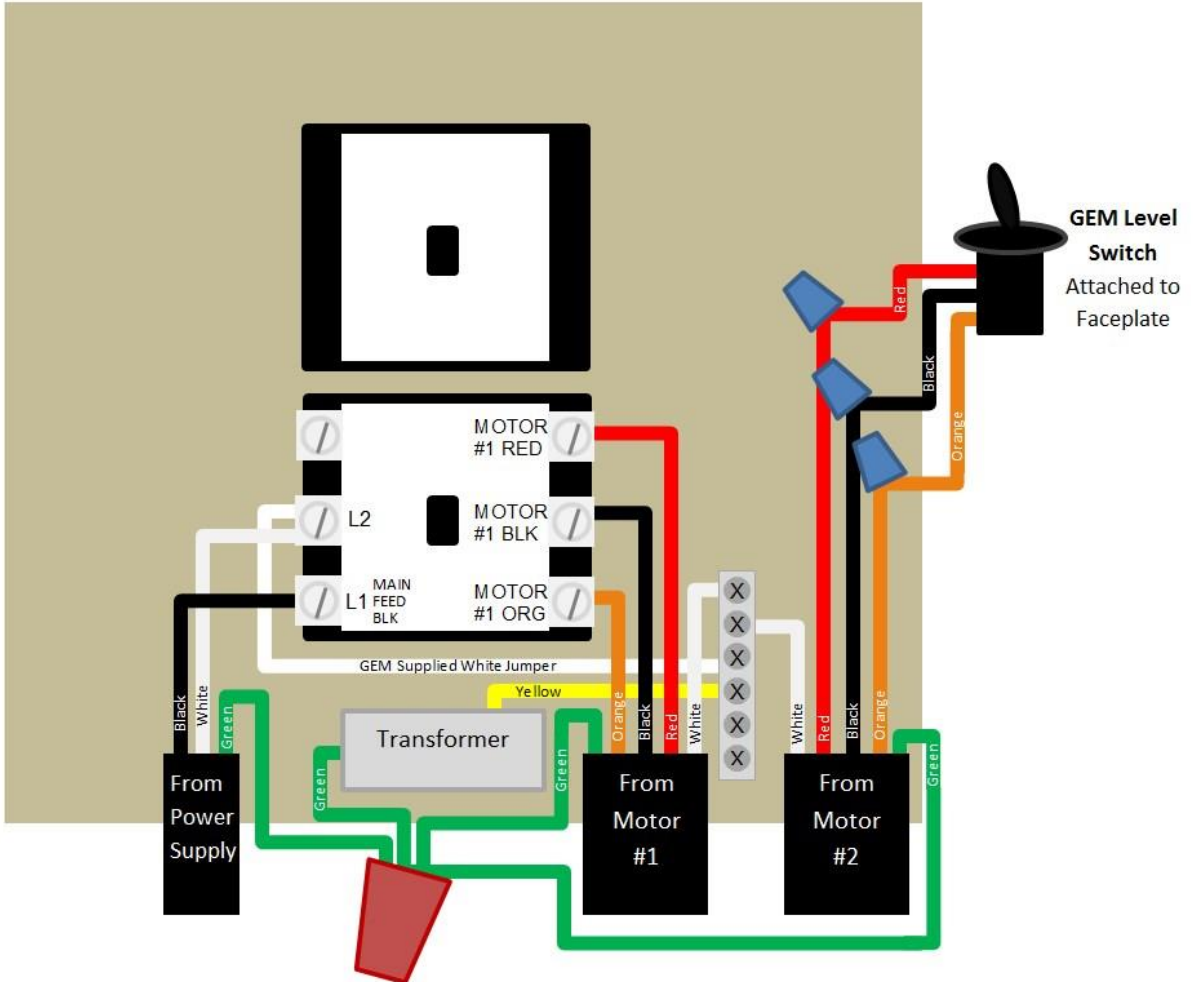


GEM WIRING INSTURCTIONS 115V



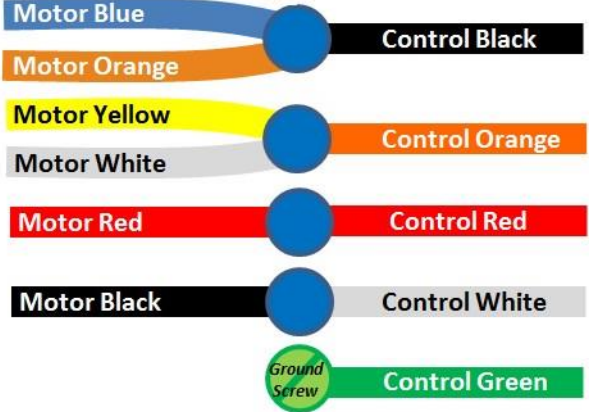
Use the diagram below if your motor is a new 56 frame Aqua Marine Supply motor from Regal Beloit



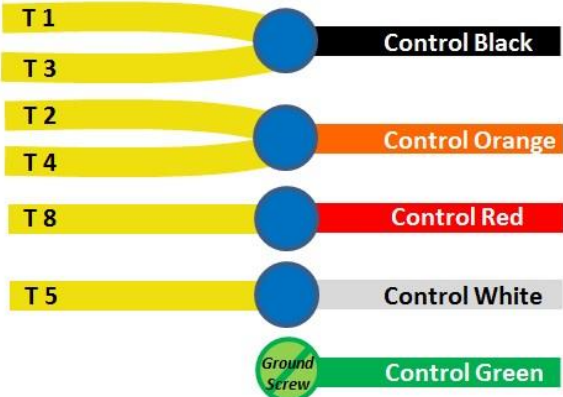
Use the diagram below if your motor is a 56 frame Aqua Marine Supply/LEESON stainless steel motor



115V Connections



115V Connections

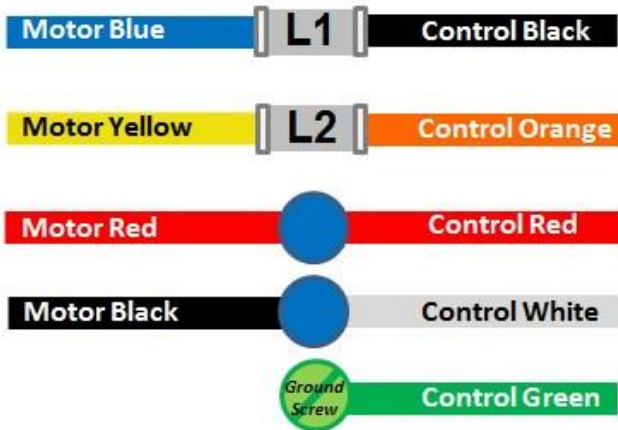


GEM WIRING INSTRUCTIONS 115V

Use the diagram below if your motor is a 48 frame Aqua Marine Supply motor from Regal Beloit



115V Connections



Use the diagram below if your motor is a 56 frame Aqua Marine Supply motor from Regal Beloit/AO Smith with terminal board



115V Connections

