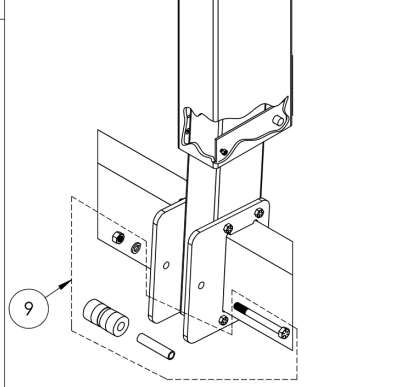
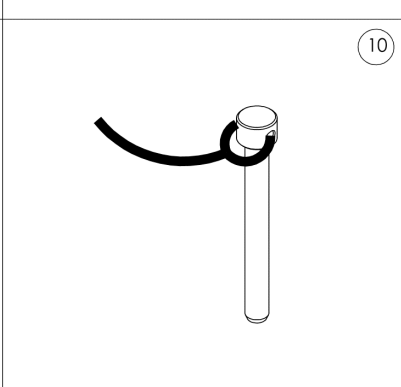
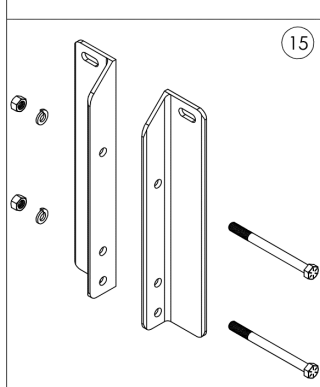
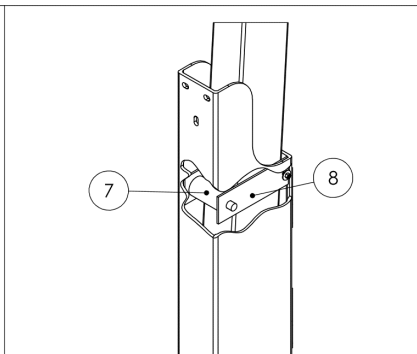
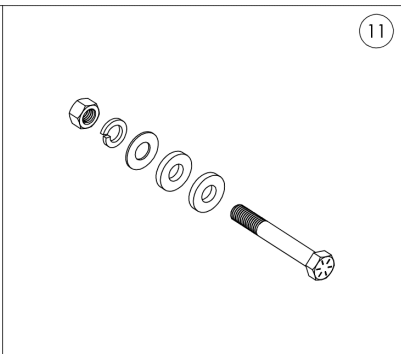
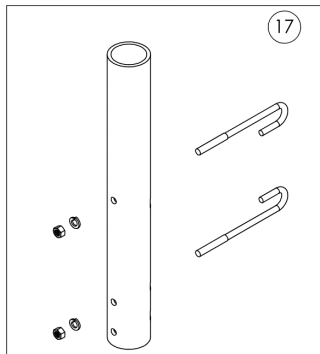
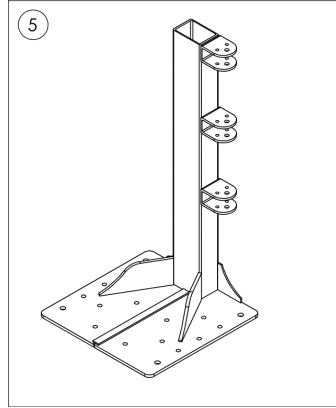
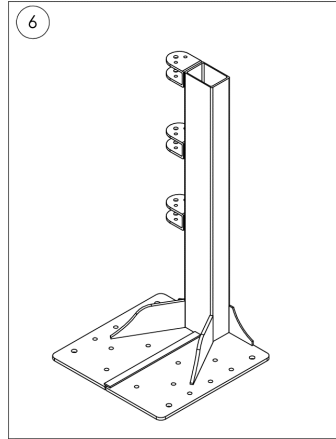
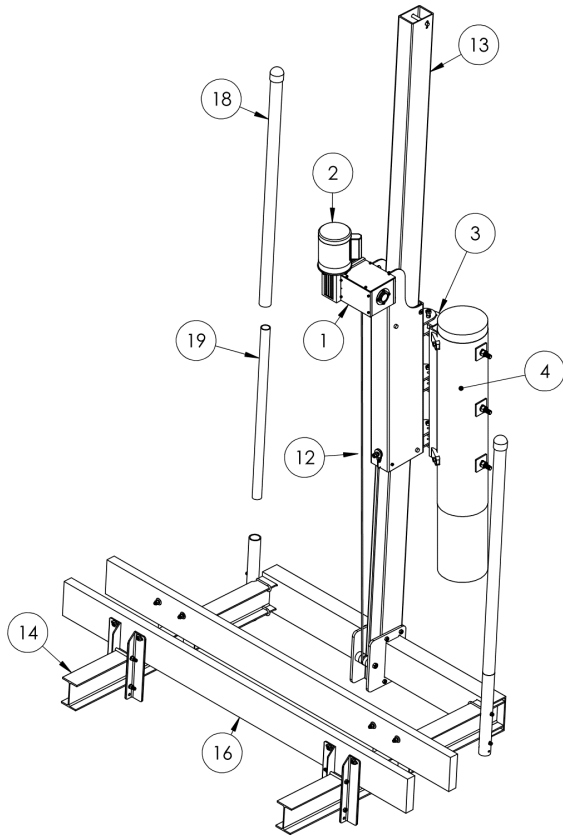


1500 Swinger Lift



Complete Lift

N/A	SW-1500	1500 SWINGER PILING MOUNT ELECTRIC DIRECT DRIVE
N/A	SW-1501-RH	1500 SWINGER RIGHT HAND SEAWALL MOUNT ELECTRIC DIRECT DRIVE
N/A	SW-1501-LH	1500 SWINGER LEFT HAND SEAWALL MOUNT ELECTRIC DIRECT DRIVE
N/A	SWB-1500	1500 SWINGER PILING MOUNT ELECTRIC BELT DRIVE
N/A	SWB-1501-RH	1500 SWINGER RIGHT HAND SEAWALL MOUNT ELECTIRC BELT DRIVE
N/A	SWB-1501-LH	1500 SWINGER LEFT HAND SEAWALL MOUNT ELECTIRC BELT DRIVE
N/A	SWM-1500	1500 SWINGER PILING MOUNT (No Hoist)
N/A	SW-1500-NM	1500 SWINGER ELECTRIC DIRECT DRIVE - NO MOUNT

Drive Unit

1	C-1043	PWC Direct Drive (No Motor)
1	C-1004	AMS PWC 1500 JET SKI HOIST
1	C-1007	1500 LBS MANUAL BRAKE WINCH (Winch only, no cable, roller, or mounting bolts)

Motor & Wiring Harnesses

2	C-1058	Tide Tamer 1 HP Stainless C-Face Motor w/ Mounting Hardware (3/8" x 1" SS Bolt, FW & LW) x 4
2	AB-0069	1 HP SS C-Face Motor w/ 10ft Wiring Harness, Maintain Switch, GFCI, 110V Plug & HW(3/8" x 1"SS Bolt,FW & LW) x 4
2	C-1017	3/4HP 48 Frame A.O Smith Motor w/ 2" Pulley

Electrical, Remotes & Limit Switches

N/A	C-1029	TEC II Remote Control
N/A	C-1036	TEC Remote Transmitter (Old Style - Square)
N/A	C-1064	TEC Remote Transmitter Tear Drop (New Style)
N/A	C-1028	GFCI R.A. Compact 14/3 AWG Assembly
N/A	C-1026	SJT 12/5 Electric Motor Cable (PER FT, Min 10 FT)

Housing, Mount & Cable

N/A	PS-0008	1500 LB Aluminum Swinger Housing Box W/Hardware
3	PS-0006	1500 LB Aluminum Piling Mount Bracket
4	WRAP-1127	Plastic Piling Wrap for 10" Piling, 42" X 42"
5	PS-0029-RH	1500 LB Swinger Seawall MT Bracket Right Hand (only)
6	PS-0029-LH	1500 LB Swinger Seawall MT Bracket Left Hand (only)
7	PS-0022	1500 LB Housing Roller
8	PS-0023	1500 LB Housing Wear Pads (Set of Four)
9	PS-0024	1500 LB Cable Roller Assembly with Cable Groove Roller, 4" spacer, 6" x 5/8" SS Bolt, 5/8" SS LW & 5/8" SS Nut
10	PS-0025	Swinger Stop Pin & Cable
11	PS-0030	Swinger Hinge Fasteners & Nylon Bushings (5/8" x 4-1/2" SS bolt, 5/8" SS LW, 5/8" SS Nut) x 3 and (Nylon Swinger Hinge Bushing) x 6
12	PT-0002	1/4" X 26ft Stainless Steel Cable w/ Hardeye (Skiff Lift)

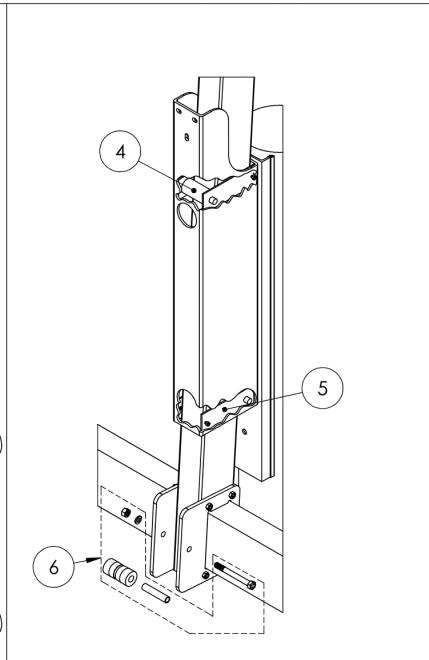
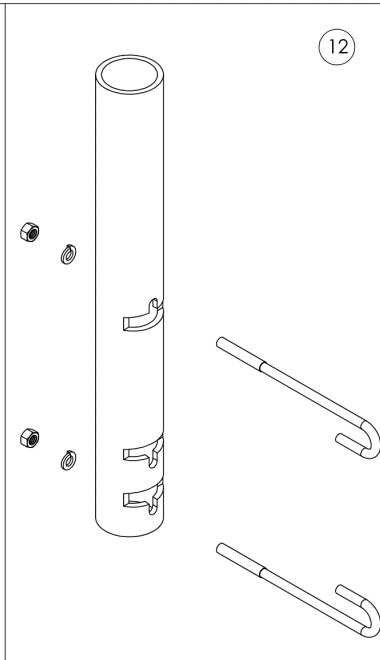
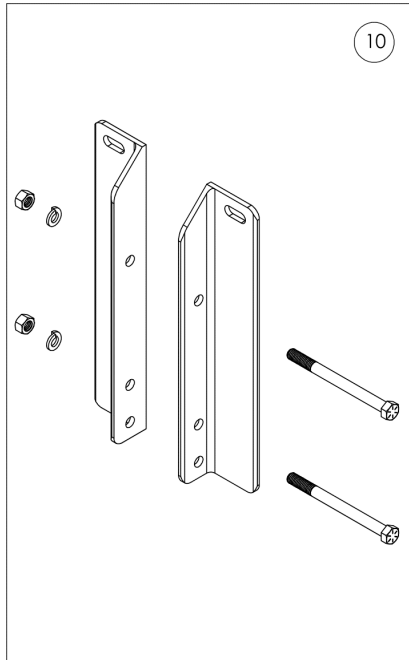
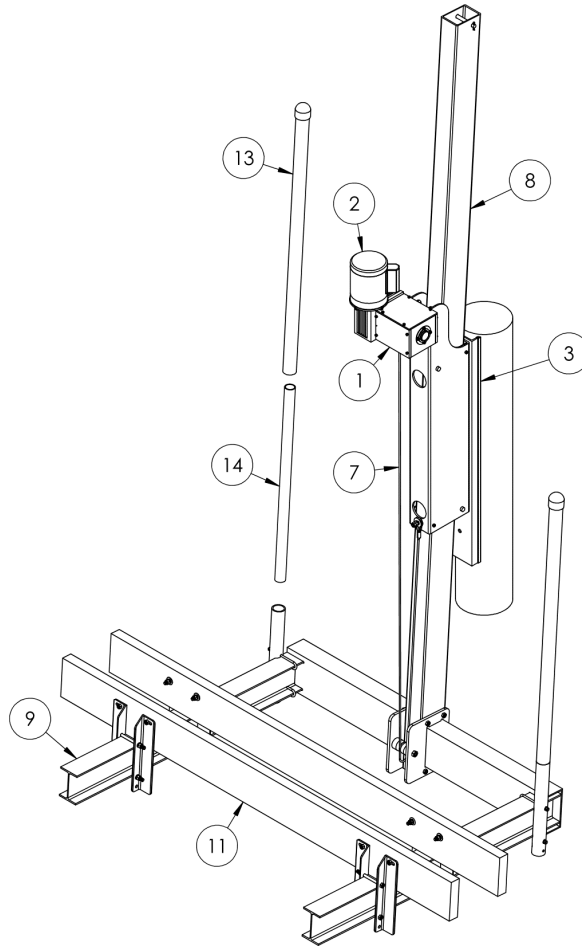
Mast, Arms & Cradle

13	PS-0009	Aluminum Mast 4" X 6" X 13ft (1500 & 3000 LB Lifts) and Arms (2) w/ Hardware
14	PS-0007	1500 LB Aluminum Arms (Pair) w/ Hardware and bolts to attach to mast
15	PC-0001	Bunk Bracket 1,500 LB - 9,000 LB Lift (1 LH & RH Bracket) w/ Hardware (1/2" x 5-1/2" SS Bolt, LW, Nut) x 2
16	AC-1043	2" x 8" x 8ft Carpeted Wood Bunks (1500)
N/A	PC-0007	HW Box For Wood Bunks & Piling Strap/Mount 15k-24k LB LIFTS (1/2"x3 1/2"SS Bolt,FW,LW,Nut)x16 &(1/2" x 2"Lag Bolts)x8

Guide Post

17	PS-0032	Guide Pipe For 1,500LB-9,000LB LIFT (each) w/Hardware (3/8"-16 x 6-7/8" SS J-Bolt, LW & Nut) x 2
N/A	PC-0018	Fastener Kit For Guide Pipe on 1,500 LB - 9,000 LB (1 pipe) (3/8" x 6-7/8" SS J-Bolt, LW & Nut) x 2
18	PS-0018	53" PVC with Cap For 1500 & 3000LB Lift (each)
19	MH-0332	Guide Pipe Sleeve 40"

1500 LB Stationary Piling Mount Lift



Complete Lift

N/A	SW-1502	1500 STATIONARY PILING MOUNT ELECTRIC DIRECT DRIVE
N/A	SWB-1502	1500 STATIONARY PILING MOUNT ELECTRIC BELT DRIVE
N/A	SWM-1502	1500 STATIONARY PILING MOUNT (No Hoist)

Drive Unit

1	C-1043	PWC Direct Drive (No Motor)
1	C-1004	AMS PWC 1500 JET SKI HOIST
N/A	C-1007	1500 LBS MANUAL BRAKE WINCH (Winch only, no cable, roller, or mounting bolts)

Motor & Wiring Harnesses

2	C-1058	Tide Tamer 1 HP Stainless C-Face Motor w/ Mounting Hardware (3/8" x 1" SS Bolt, FW & LW) x 4
2	AB-0069	1 HP SS C-Face Motor w/ 10ft Wiring Harness, Maintain Switch, GFCI, 110V Plug & Hardware (3/8" x 1" SS Bolt, FW, & LW) x 4
2	C-1017	3/4HP 48 Frame A.O Smith Motor w/ 2" Pulley

Electrical, Remotes & Limit Switches

N/A	C-1029	TEC II Remote Control
N/A	C-1036	TEC Remote Transmitter (Old Style - Square)
N/A	C-1064	TEC Remote Transmitter Tear Drop (New Style)
N/A	C-1028	GFCI R.A. Compact 14/3 AWG Assembly
N/A	C-1026	SJT 12/5 Electric Motor Cable (PER FT, Min 10 FT)

Housing, Mount & Cable

N/A	PS-0008.5	1500 LB Aluminum Stationary Housing Box w/ Hardware
3	RR-1041	Barrier Trim For Channels (per foot)
4	PS-0022	1500 LB Housing Roller
5	PS-0023	1500 LB Housing Wear Pads (Set of Four)
6	PS-0024	1500 LB Cable Roller Assembly with Cable Groove Roller, 4" spacer, 6" x 5/8" SS Bolt, 5/8" SS LW & 5/8" SS Nut
7	PT-0002	1/4" X 26ft Stainless Steel Cable w/ Hardeye (Skiff Lift)

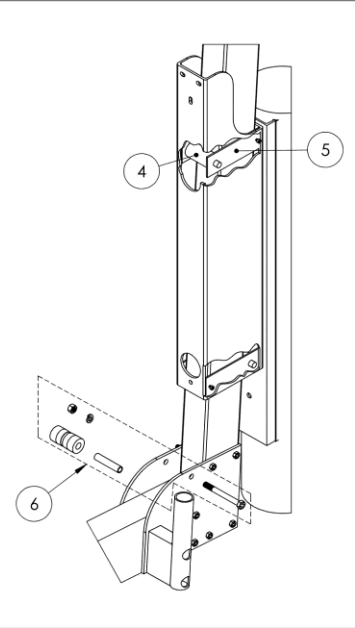
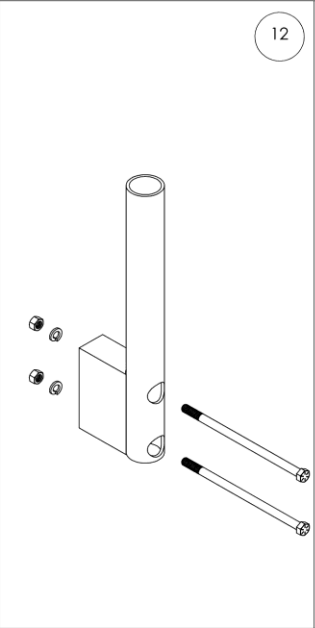
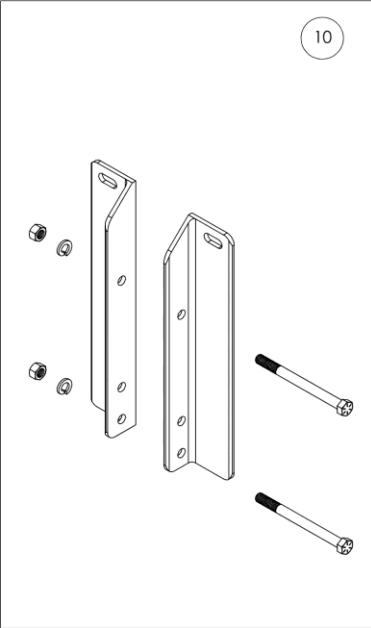
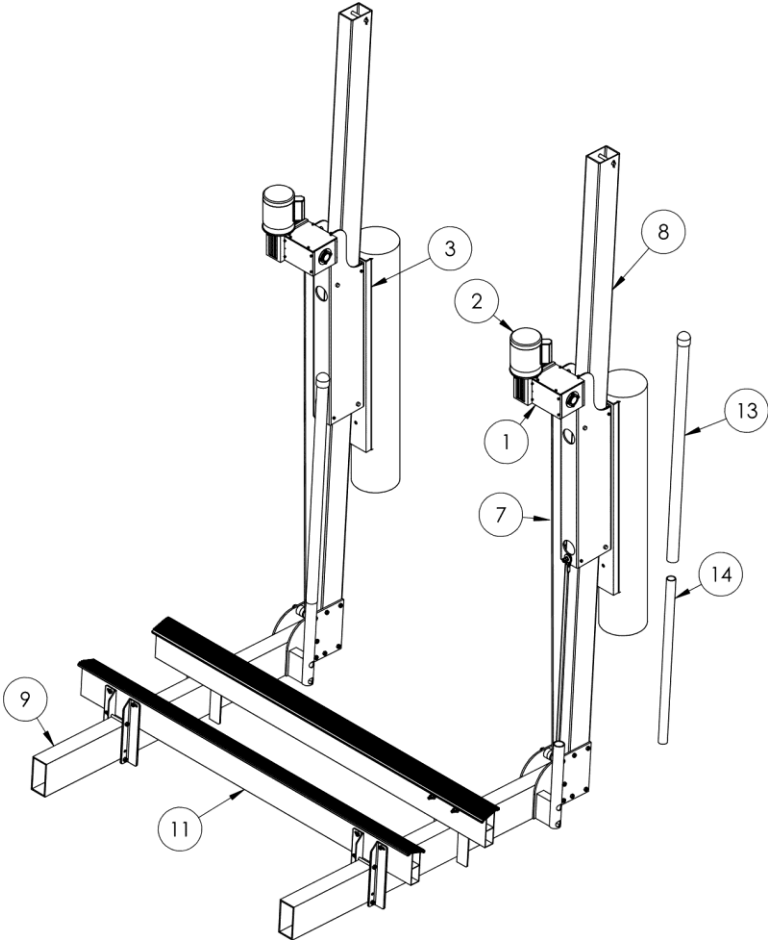
Mast, Arms & Cradle

8	PS-0009	Aluminum Mast 4" X 6" X 13ft (1500 & 3000 LB Lifts) and Arms (2) w/ Hardware
9	PS-0007	1500 LB Aluminum Arms (Pair) w/ Hardware and bolts to attach to mast
10	PC-0001	Bunk Bracket 1,500 LB - 9,000 LB Lift (1 LH & RH Bracket) w/ Hardware (1/2" x 5-1/2" SS Bolt, LW, Nut) x 2
11	AC-1043	2" x 8" x 8ft Carpeted Wood Bunks (1500)
N/A	PC-0007	HW Bx For Wood Bunks & Piling Strap/Mount 15K-24K LIFTS(1/2"X3-1/2" SS Bolt,FW,LW & Nut)x16,(1/2"x2in Lag Bolts)x8

Guide Post

12	PS-0032	Guide Pipe For 1,500LB-7,000LB LIFT (each) w/Hardware (3/8"-16 x 6-7/8" SS J-Bolt, LW & Nut) x 2
N/A	PC-0018	Fastener Kit For Guide Pipe on 1,500 LB - 7,000 LB (1 pipe) (3/8" x 6-7/8" SS J-Bolt, LW & Nut) x 2
13	PS-0018	53" PVC with Cap For 1500 & 3000LB Lift (each)
14	MH-0332	Guide Pipe Sleeve 40"

3000 LB Piling Mount Lift



Complete Lift

N/A	SW-3000	3000 PILING MOUNT ELEC. DIRECT DRIVE
N/A	SWM-3000	3000 LB ALUMINUM PILING MT. (NO HOIST)

Drive Unit

1	C-1043	PWC Direct Drive (No Motor)
1	C-1004	AMS PWC 1500 JET SKI HOIST
N/A	C-1007	1500 LBS MANUAL BRAKE WINCH (Winch only, no cable, roller, or mounting bolts)

Motor & Wiring Harnesses

2	C-1058	Tide Tamer 1 HP Stainless C-Face Motor w/ Mounting Hardware (3/8" x 1" SS Bolt, FW & LW) x 4
2	AB-0070	1 HP SS C-Face Motor w/ 25ft Wiring Harness, Maintain Switch, GFCI, 110V Plug & HW (3/8" x 1" SS Bolt, FW, & LW) x 4
2	C-1017	3/4HP 48 Frame A.O Smith Motor w/ 2" Pulley

Electrical, Remotes & Limit Switches

N/A	C-1029	TEC II Remote Control
N/A	C-1036	TEC Remote Transmitter (Old Style - Square)
N/A	C-1064	TEC Remote Transmitter Tear Drop (New Style)
N/A	C-1028	GFCI R.A. Compact 14/3 AWG Assembly
N/A	C-1026	SJT 12/5 Electric Motor Cable (PER FT, Min 10 FT)

Housing, Mount & Cable

N/A	PS-0010	3000 LB Aluminum Stationary Housing Box w/ Hardware
3	RR-1041	Barrier Trim For Channels (per foot)
4	PS-0022	1500 LB Housing Roller
5	PS-0023	1500 LB Housing Wear Pads (Set of Four)
6	PS-0024	1500 LB Cable Roller Assembly with Cable Groove Roller, 4" spacer, 6" x 5/8" SS Bolt, 5/8" SS LW & 5/8" SS Nut
7	PT-0002	1/4" X 26ft Stainless Steel Cable w/ Hardeye (Skiff Lift)

Mast, Arms & Cradle

8	PS-0009	ALUM. MAST 4" X 6" X 13ft (1500 & 3000LB LIFTS)
9	PS-0011	3000 LB Alum. Arm w/Hardware (each)
10	PC-0001	Bunk Bracket 1,500 LB - 9,000 LB Lift (1 LH & RH Bracket) w/ Hardware (1/2" x 5-1/2" SS Bolt, LW, Nut) x 2
11	AC-1084	2.7" x 8" x 12ft Aluminum Cradle Bunk (each) w/ Vinyl Pad (Not Drilled, 3,000LB to 13,000LB)
N/A	PC-0021	Hw Box For 15k-24k Alum Bunks & Piling Strap/Mount (1/2" x 4" SS Bolt, FW, LW & Nut) x 8, (1/2" x 2" Lag Bolts) x 8

Guide Post

12	PS-0033	3000 GUIDE PIPE with Hardware (1/2 x 10" SS Hex Bolt, SS Lock Washer & SS Nut) x 2
13	PS-0018	53" PVC with Cap For 1500 & 3000LB Lift (each)
14	MH-0332	Guide Pipe Sleeve 40"