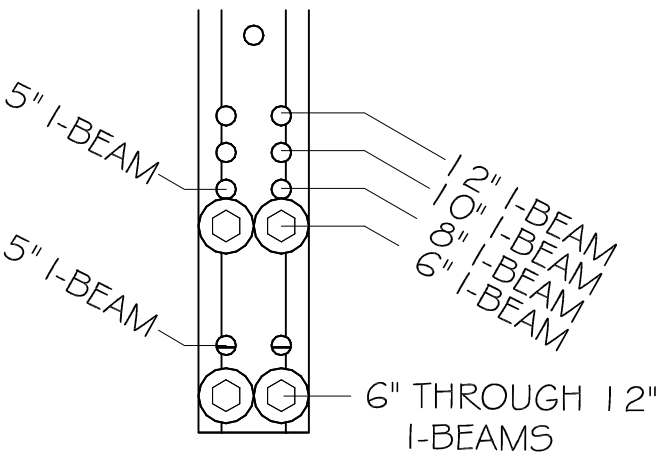
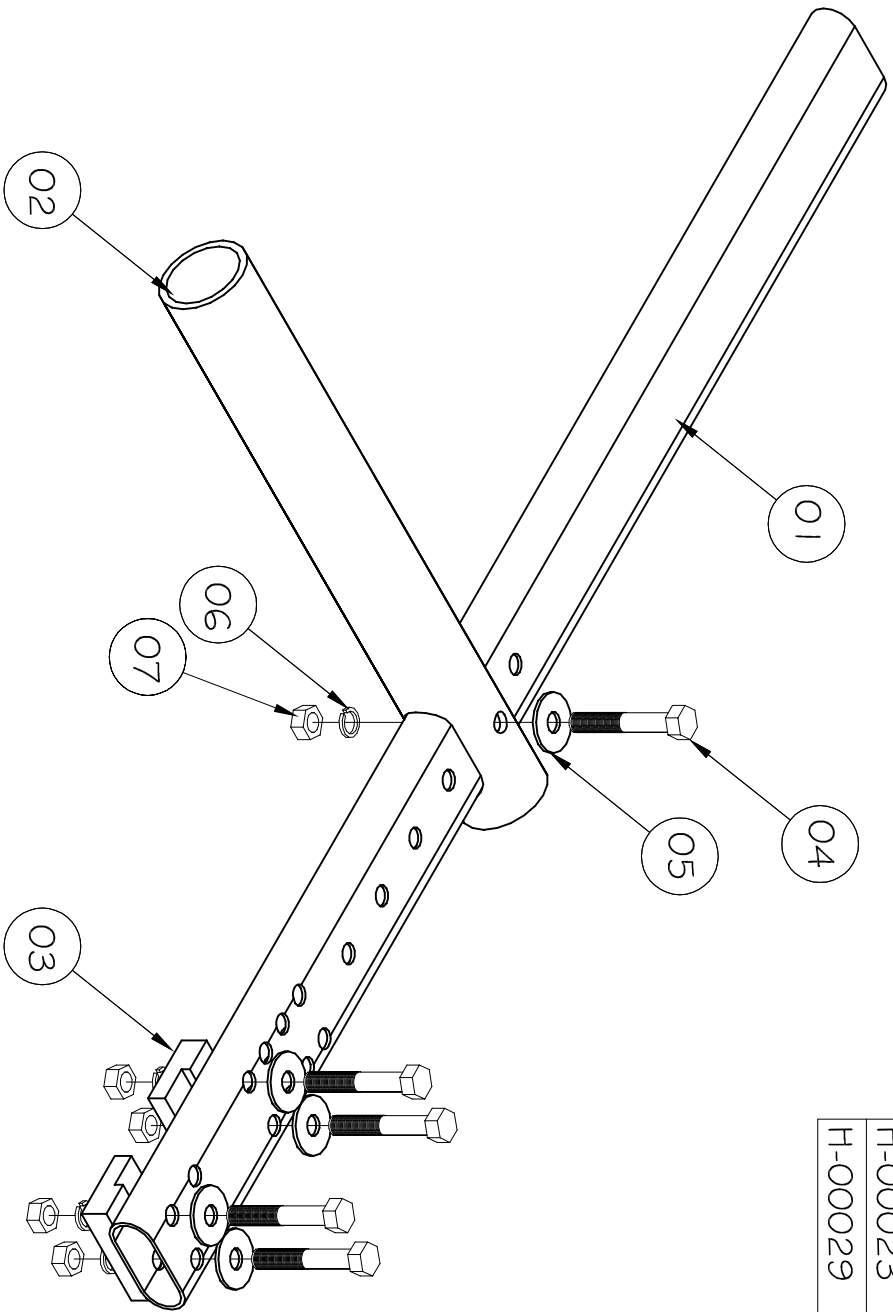
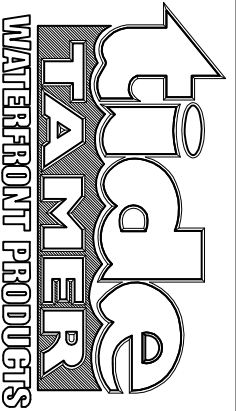


PART #	DET. #	QTY.	PART NAME
MH-00149	01	1	TIDE GUIDE 90 DEGREE ARM
MH-00148	02	1	TIDE GUIDE MAIN ARM 42" (FOUR PILING LIFTS)
MH-0150	03	2	.75 X 2.0 X 3.0 ALUMINUM TAB
H-00040	04	5	1/2" x 3.0" Bolt
H-00032	05	5	1/2" Flat Washer
H-00023	06	5	1/2" Lock Washer
H-00029	07	5	1/2" Nut



NOTICE: CONFIDENTIAL INFORMATION
 THIS DOCUMENT IS THE PROPERTY OF TIDE TAMER INDUSTRIES
 AND WILL NOT BE COPIED, REPRODUCED OR USED AS THE BASIS
 FOR SALE OR MANUFACTURE OF APPARATUS OR DEVICES WITHOUT
 WRITTEN PERMISSION.

UNLESS OTHERWISE SPECIFIED
 DIMENSIONS ARE IN INCHES/MM
 TOLERANCES
 X ± .1
 .XX ± .005
 ANGLES ± 1/2°



APPROVALS		SIGNATURE	
DRAWN BY:	WBG		
CHECKED BY:	WBG		
APPROVED BY:	WBG		
MATERIAL:	6061-T6		
SCALE:	NTS		
DATE:	1/24/06		
JOB #	N/A		
TIDE TAMER INDUSTRIES, INC. P.O. BOX 177 HWY 123 SOUTH HOOKERTON, NC 28538		DRAWING TITLE: TIDE GUIDES W/ 90 DEGREE ARM (SET OF 4)	
SIZE	PART NO.	DRAWING NO.	REV
A	A-0021	XXXXXX	A1