

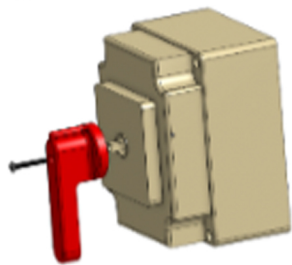
### **STOP AND READ!**

Do not attempt to screw the switch handle into the shaft without following these steps. You will damage the switch handle.

You **MUST REMOVE** the screw completely from the handle before installing. The shaft of the switch is **NOT** threaded so the handle is secured to the shaft by means of a plastic expansion tab inside the handle.

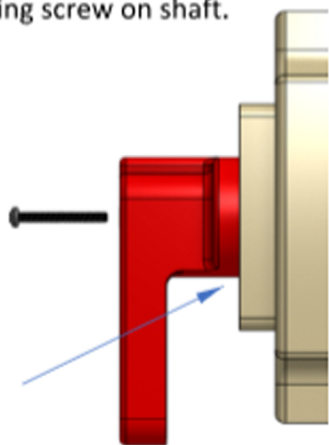
### **Step 1**

Remove screw from handle before inserting on switch.



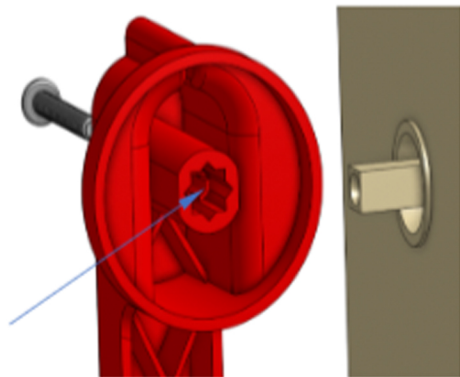
### **Step 2**

Handle should be flush to face before inserting screw on shaft.



### **Step 3**

If the handle will not fit flush, slightly bend expansion tabs to fit in hole of shaft before re-inserting.



### **Step 4**

Reinstall the handle. **DO NOT OVERTIGHTEN SCREW!**

