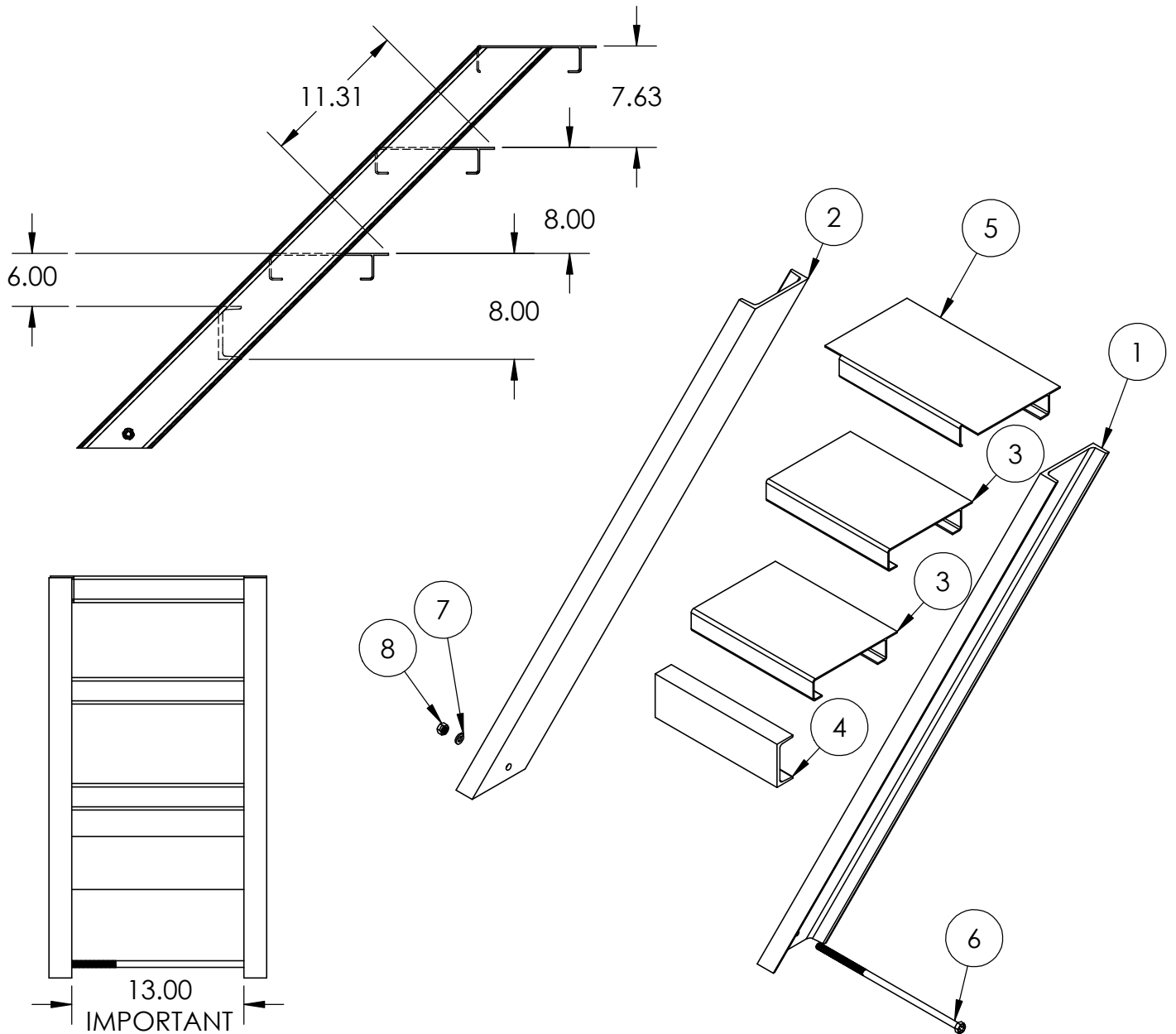
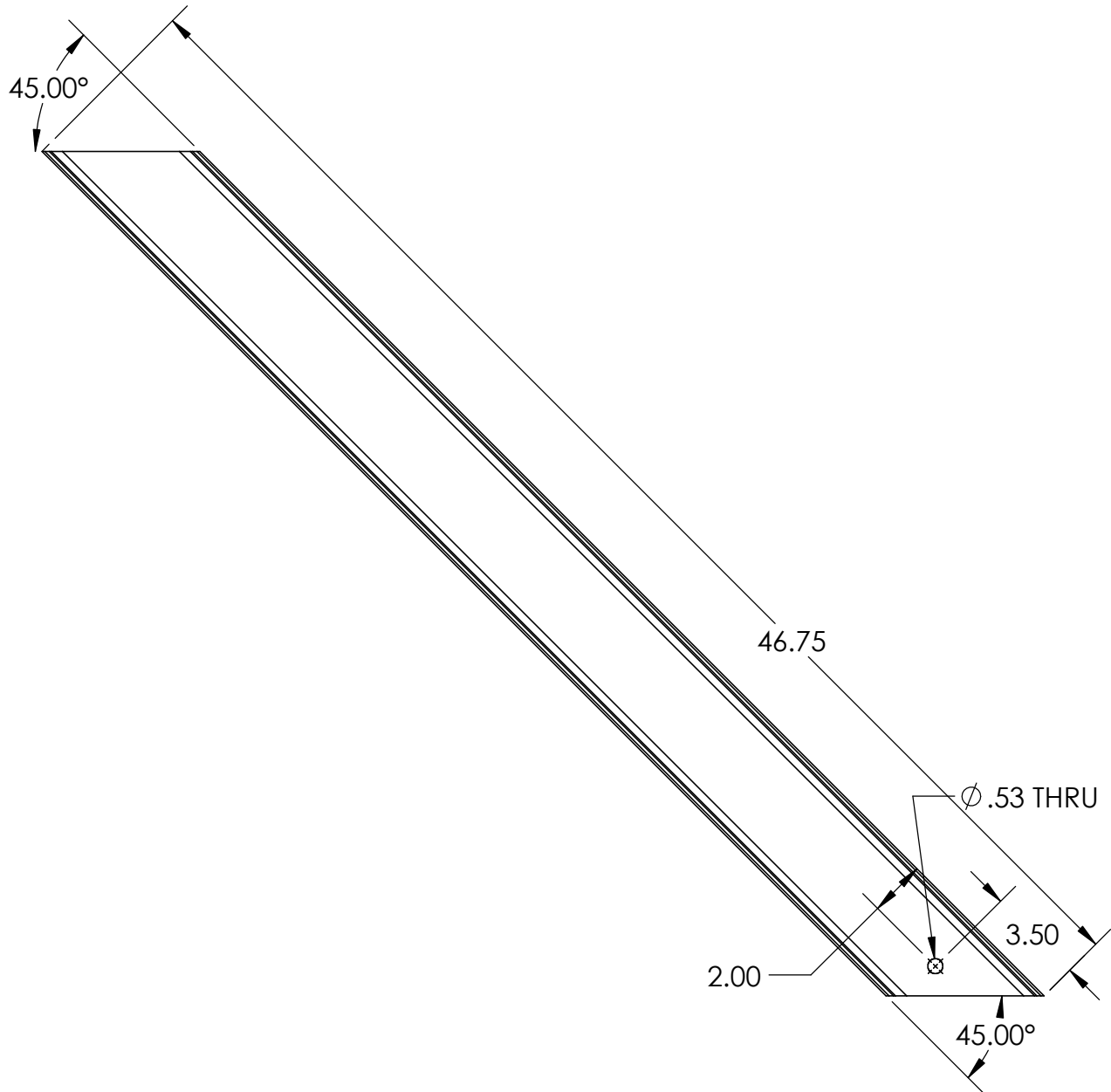


ITEM NO.	PART NUMBER	DESCRIPTION	Default/QTY.
1	MH-0336	3 STEP WALKBOARD LADDER SIDE BEAM (LEFT)	1
2	MH-0037	3 STEP WALKBOARD LADDER SIDE BEAM (RIGHT)	1
3	MH-2078	12" WALKBOARD LADDER STEP	2
4	MH-0038	12" WALKBOARD LADDER BRACE	1
5	MH-2079	12IN TOP WALKBOARD LADDER STEP	1
6	default	1/2"-13 X 15" HEX HEAD BOLT	1
7	F-0005	1/2" SS LOCKWASHER	1
8	F-0006	1/2"-13 SS NUT	1



PH: 800-325-1116
 FAX: 252-747-4377
 TIDETAMER.COM
 P.O. BOX 1118
 SNOW HILL, NC
 28580

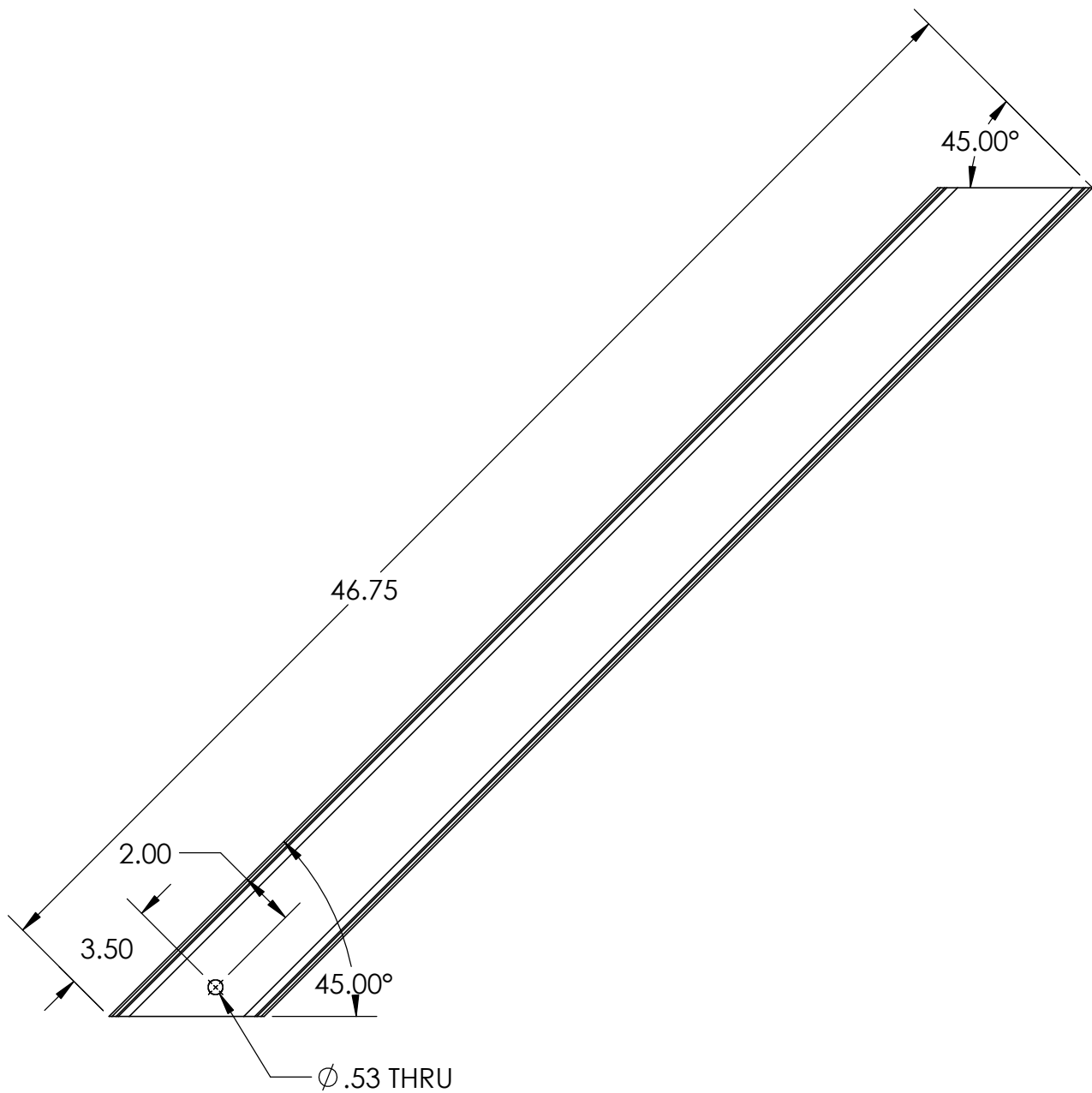
MATERIAL	DATE PRINTED	10-6-15	Description
6000 SERIES ALUM	PART NUMBER	A-2021	
PROPRIETARY AND CONFIDENTIAL	DRAWN BY: ACC	DATE 10-6-15	12" WALKBOARD LADDER
THE INFORMATION CONTAINED IN THIS DRAWING IS THE SOLE PROPERTY OF <INSERT COMPANY NAME HERE>. ANY REPRODUCTION IN PART OR AS A WHOLE WITHOUT THE WRITTEN PERMISSION OF <INSERT COMPANY NAME HERE> IS PROHIBITED.	DIMENSIONS ARE IN INCHES TOLERANCES: FRACTIONAL ± ANGULAR: MACH ± BEND ± TWO PLACE DECIMAL ± THREE PLACE DECIMAL ±	COMMENTS:	
SIZE A		DWG. NO. A-2021	REV.
SCALE: 1:4		WEIGHT:	SHEET 1 OF 6



MATERIAL: 4" ALUM CHANNEL

tide
TAMER
WATERFRONT PRODUCTS
PH: 800-325-1116
FAX: 252-747-4377
TIDETAMER.COM
P.O. BOX 1118
SNOW HILL, NC
28580

MATERIAL	DATE PRINTED	10-6-15	Description									
6000 SERIES ALUM	PART NUMBER	MH-0336	3 STEP WALKBOARD LADDER LEFT SIDE CHANNEL									
PROPRIETARY AND CONFIDENTIAL	DRAWN BY: ACC	DATE 10-6-15										
THE INFORMATION CONTAINED IN THIS DRAWING IS THE SOLE PROPERTY OF <INSERT COMPANY NAME HERE>. ANY REPRODUCTION IN PART OR AS A WHOLE WITHOUT THE WRITTEN PERMISSION OF <INSERT COMPANY NAME HERE> IS PROHIBITED.	DIMENSIONS ARE IN INCHES TOLERANCES: FRACTIONAL ± ANGULAR: MACH ± BEND ± TWO PLACE DECIMAL ± THREE PLACE DECIMAL ±	COMMENTS:	<table border="1"> <tr> <td>SIZE</td> <td>DWG. NO.</td> <td>REV.</td> </tr> <tr> <td>A</td> <td>MH-0336</td> <td></td> </tr> <tr> <td>SCALE: 1:4</td> <td>WEIGHT:</td> <td>SHEET 2 OF 6</td> </tr> </table>	SIZE	DWG. NO.	REV.	A	MH-0336		SCALE: 1:4	WEIGHT:	SHEET 2 OF 6
SIZE	DWG. NO.	REV.										
A	MH-0336											
SCALE: 1:4	WEIGHT:	SHEET 2 OF 6										

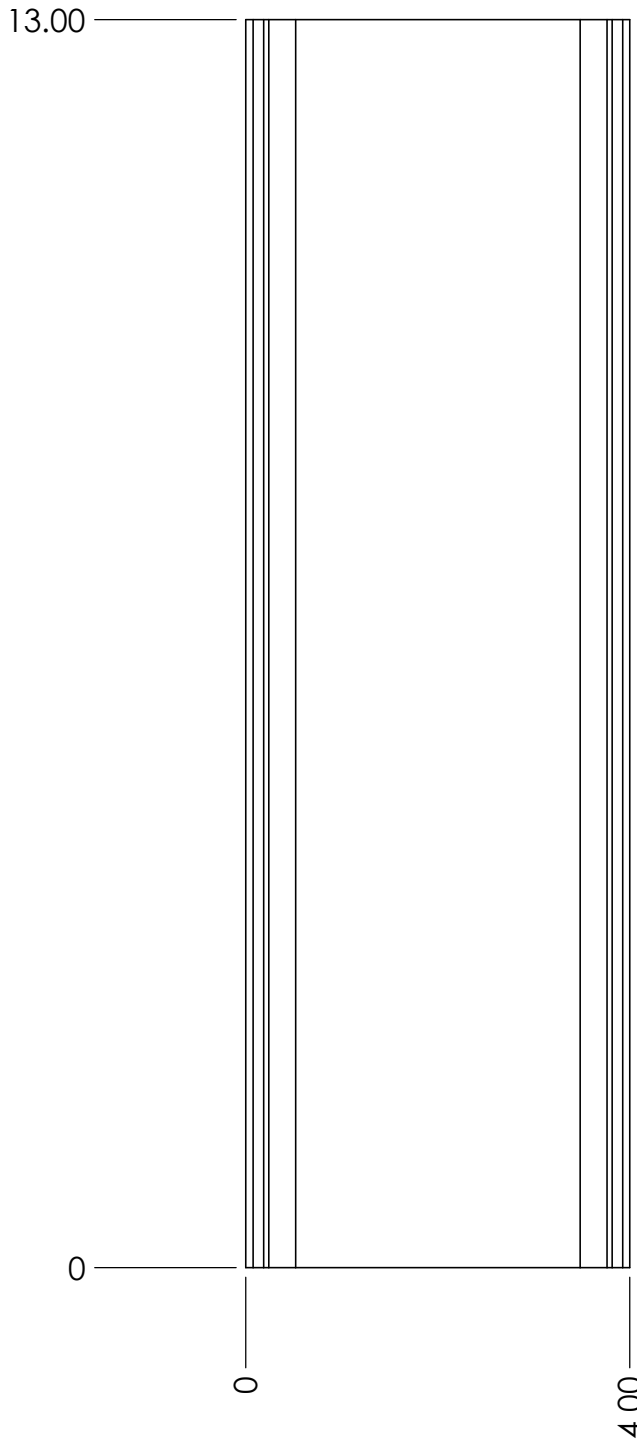


MATERIAL: 4" ALUM CHANNEL



PH: 800-325-1116
 FAX: 252-747-4377
 TIDETAMER.COM
 P.O. BOX 1118
 SNOW HILL, NC
 28580

MATERIAL	DATE PRINTED	10-6-15	Description
6000 SERIES ALUM	PART NUMBER	MH-0337	
PROPRIETARY AND CONFIDENTIAL THE INFORMATION CONTAINED IN THIS DRAWING IS THE SOLE PROPERTY OF <INSERT COMPANY NAME HERE>. ANY REPRODUCTION IN PART OR AS A WHOLE WITHOUT THE WRITTEN PERMISSION OF <INSERT COMPANY NAME HERE> IS PROHIBITED.	DRAWN BY: ACC	DATE 10-6-15	3 STEP WALKBOARD LADDER RIGHT SIDE CHANNEL
	DIMENSIONS ARE IN INCHES TOLERANCES: FRACTIONAL ± ANGULAR: MACH ± BEND ± TWO PLACE DECIMAL ± THREE PLACE DECIMAL ±		
SIZE A DWG. NO. MH-0337		SCALE: 1:4	REV.
		WEIGHT:	SHEET 3 OF 6

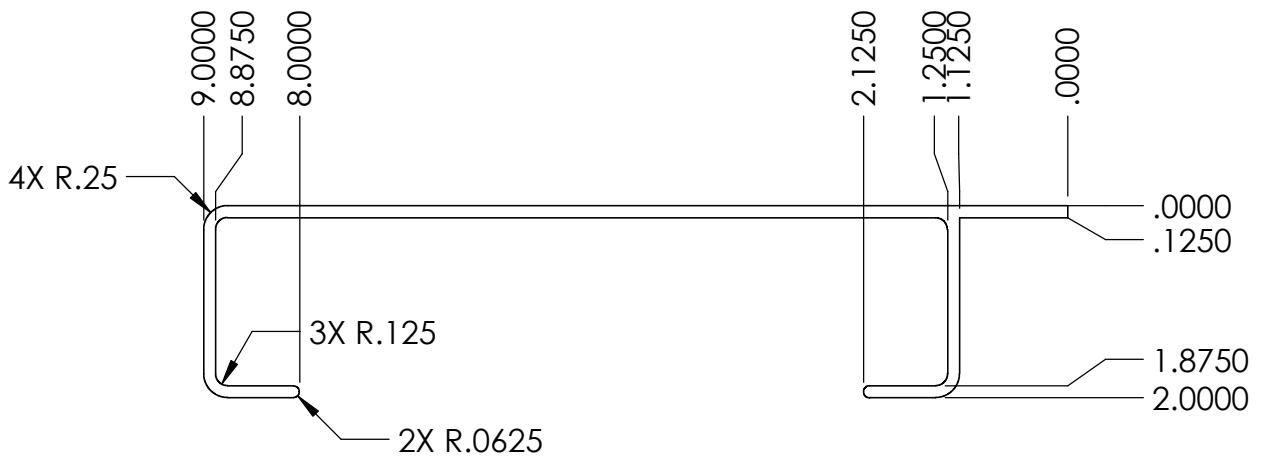
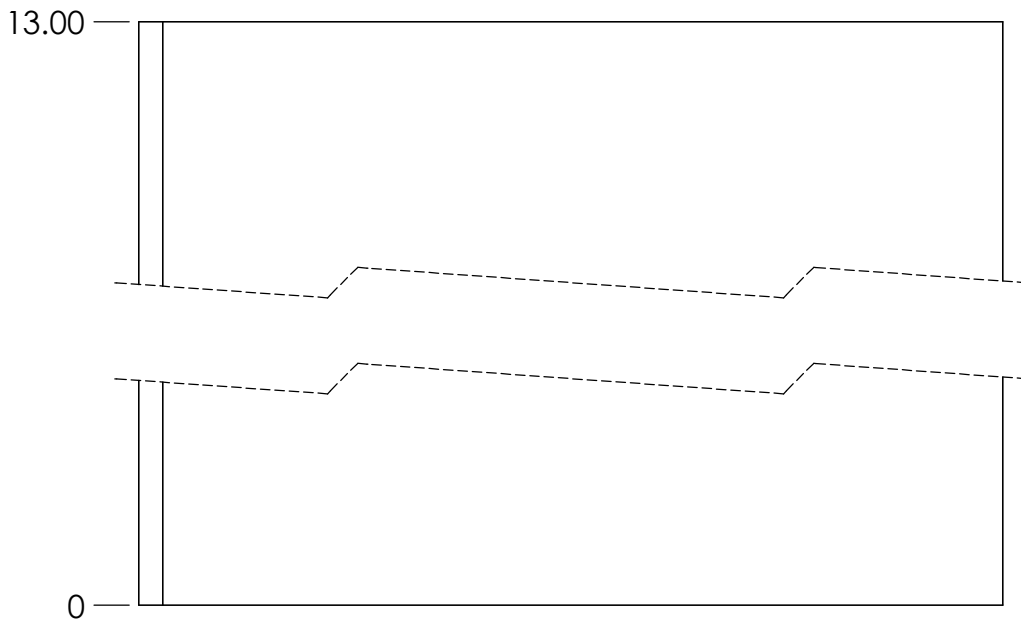


MATERIAL: 4" ALUM CHANNEL



PH: 800-325-1116
 FAX: 252-747-4377
 TIDETAMER.COM
 P.O. BOX 1118
 SNOW HILL, NC
 28580

MATERIAL	DATE PRINTED	10-6-15	Description
6000 SERIES ALUM	PART NUMBER	MH-0338	
PROPRIETARY AND CONFIDENTIAL THE INFORMATION CONTAINED IN THIS DRAWING IS THE SOLE PROPERTY OF <INSERT COMPANY NAME HERE>. ANY REPRODUCTION IN PART OR AS A WHOLE WITHOUT THE WRITTEN PERMISSION OF <INSERT COMPANY NAME HERE> IS PROHIBITED.	DRAWN BY: ACC	DATE 10-6-15	12" WALKBOARD LADDER BRACE
	DIMENSIONS ARE IN INCHES TOLERANCES: FRACTIONAL ± ANGULAR: MACH ± BEND ± TWO PLACE DECIMAL ± THREE PLACE DECIMAL ±	COMMENTS:	
	SIZE	DWG. NO.	REV.
	A	MH-0338	
	SCALE: 1:4	WEIGHT:	SHEET 4 OF 6

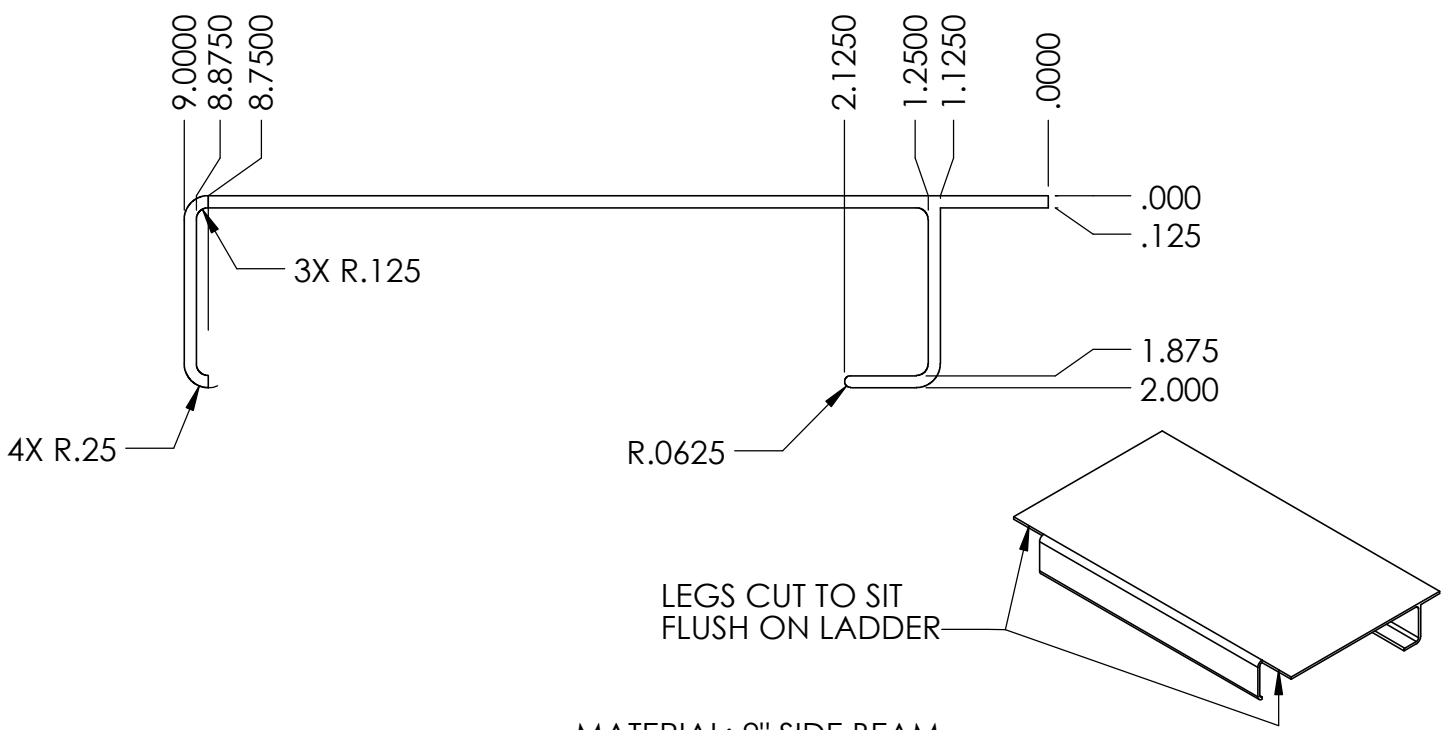
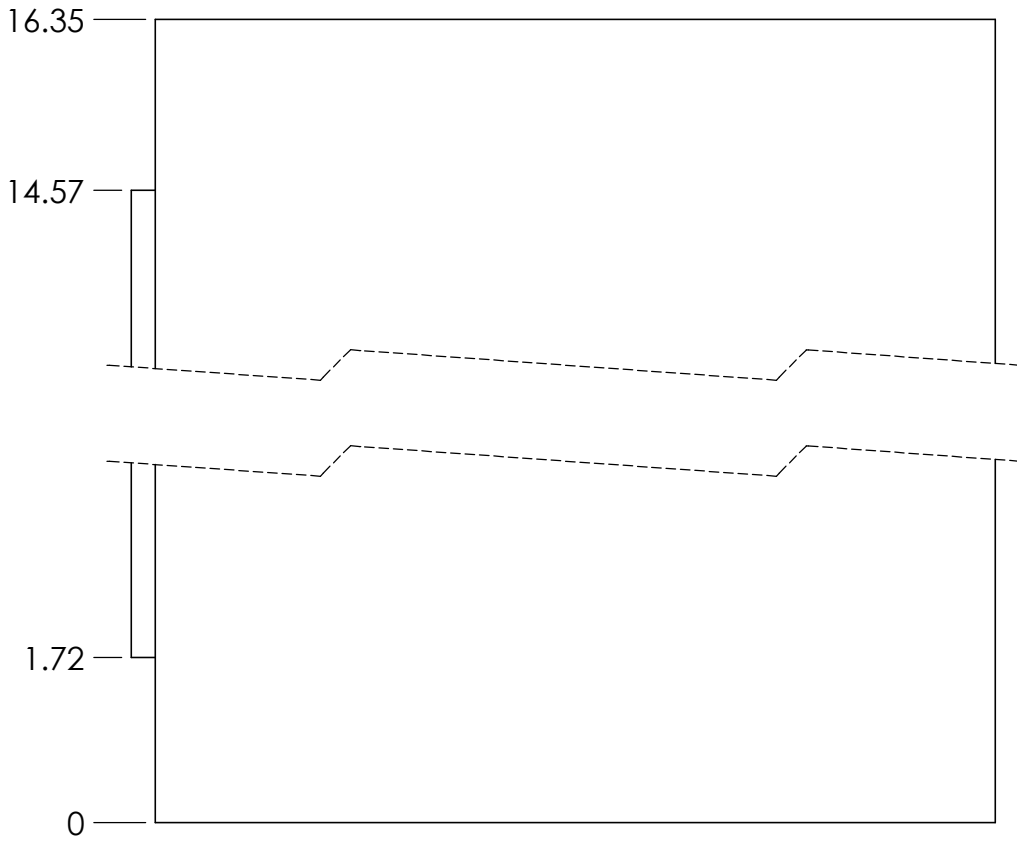


MATERIAL: 9" SIDE BEAM



PH: 800-325-1116
 FAX: 252-747-4377
 TIDETAMER.COM
 P.O. BOX 1118
 SNOW HILL, NC
 28580

MATERIAL	DATE PRINTED	10-6-15	Description	
6000 SERIES ALUM	PART NUMBER	MH-2078		
PROPRIETARY AND CONFIDENTIAL THE INFORMATION CONTAINED IN THIS DRAWING IS THE SOLE PROPERTY OF <INSERT COMPANY NAME HERE>. ANY REPRODUCTION IN PART OR AS A WHOLE WITHOUT THE WRITTEN PERMISSION OF <INSERT COMPANY NAME HERE> IS PROHIBITED.	DRAWN BY: ACC	DATE 10-6-15	12" WALKBOARD LADDER STEP	
	DIMENSIONS ARE IN INCHES TOLERANCES: FRACTIONAL ± ANGULAR: MACH ± BEND ± TWO PLACE DECIMAL ± THREE PLACE DECIMAL ±			
SIZE A		DWG. NO. MH-2078	REV.	
SCALE: 1:4		WEIGHT:	SHEET 5 OF 6	



MATERIAL: 9" SIDE BEAM



PH: 800-325-1116
FAX: 252-747-4377
TIDETAMER.COM
P.O. BOX 1118
SNOW HILL, NC
28580

MATERIAL	DATE PRINTED	10-6-15
6000 SERIES ALUM	PART NUMBER	MH-2079
PROPRIETARY AND CONFIDENTIAL	DRAWN BY: ACC	DATE 10-6-15
THE INFORMATION CONTAINED IN THIS DRAWING IS THE SOLE PROPERTY OF <INSERT COMPANY NAME HERE>. ANY REPRODUCTION IN PART OR AS A WHOLE WITHOUT THE WRITTEN PERMISSION OF <INSERT COMPANY NAME HERE> IS PROHIBITED.	DIMENSIONS ARE IN INCHES TOLERANCES: FRACTIONAL ± ANGULAR: MACH ± BEND ± TWO PLACE DECIMAL ± THREE PLACE DECIMAL ±	COMMENTS:

Description		
12" TOP WALKBOARD LADDER STEP		
SIZE A	DWG. NO. MH-2079	REV.
SCALE: 1:4	WEIGHT:	SHEET 6 OF 6