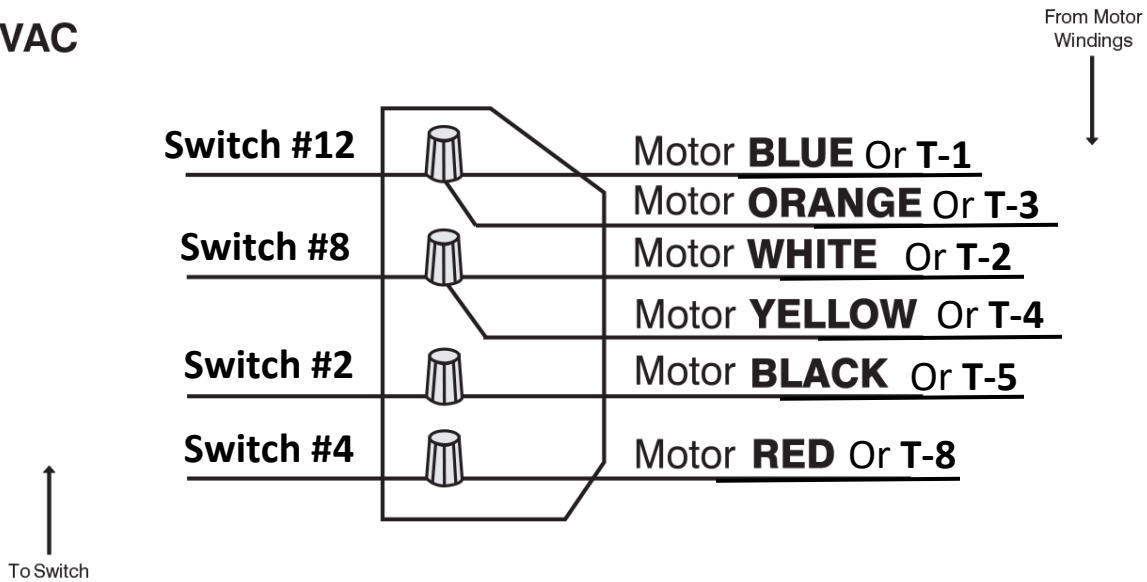


# Diagram for Salzer Switch to Standard Color or T Wire Motor



This is the procedure for wiring the Salzer drum switch to a standard color or T wired motor. Please use T numbers or standard color wires from the motor. It is important to note that our instructions do not use colors for the wire coming from the switch, as different manufacturers may wire their harnesses differently. To ensure accuracy, use the location of the wire rather than its color. If you are unfamiliar with the wiring process, we recommend you consult a licensed electrician for assistance.

## 120 VAC



## 240 VAC

